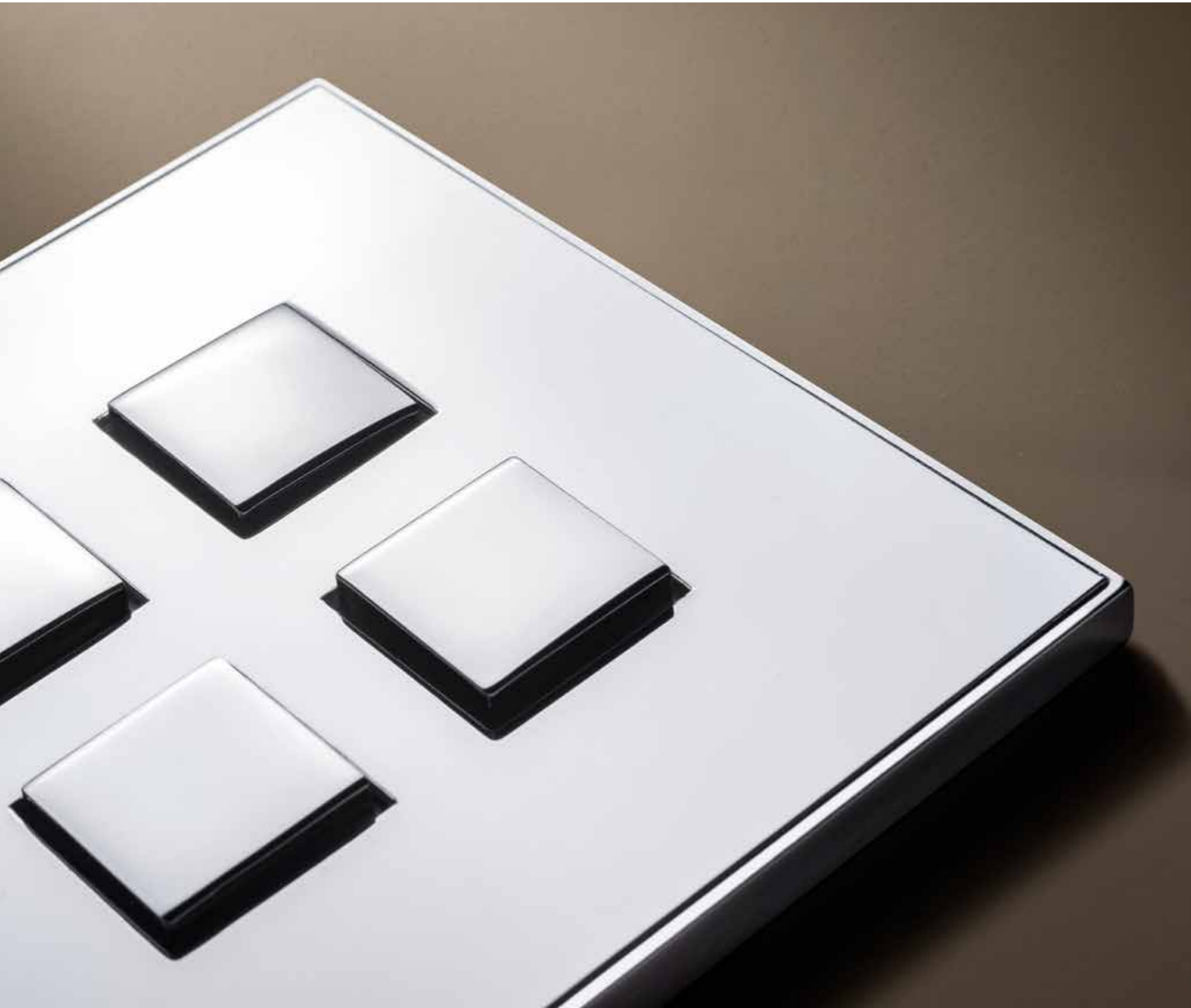


S W I T C H



Lithoss *designed pureness*

Welcome to a world where intelligent functionality meets high-end design. A world full of tiny yet crucial objects that lifts up your interior to a next level. A world of living textures that appeals to your most tactile senses.

Ready to connect to the power of exquisite design and technology?

100% *Belgian quality*

Lithoss is a first-class example of how a small country like Belgium can stand out by excelling in niche markets where constant innovation and dedication makes a difference.

Being self-sufficient gives us the opportunity to control the quality of our products every day.

We design, develop and manufacture our design light switches and related products from beginning to end in our own country.



High-end
quality
begins with
excelling.

We have a heart for design and as a customer you can actually feel that heartbeat. You experience the love of design brought to you by our passionate experts. They give shape to their and also your ideas in accordance with the industry practices. All of these elements, combined with the fact that we only use premium materials, guarantee that our products are of extremely high quality.



Timeless *purity*

— of design & materials —

Lithoss is about pure design where no compromises are made. The sleek design and simplicity both emphasize the timeless dimension of even the tiniest Lithoss button.

The use of Belgian and exclusive materials add up to this timelessness. Take a close look at these materials: they are extremely solid and simply meant to last for an eternity. Their massive quality is astonishing.



Top quality design is a subtle marriage of rich materials and simplicity.



Is it any wonder that the Lithoss designs have won several awards?



Living *Textures*

The living textures create rich, subtle accents in any interior

Unique, hand-made products

Touching a Lithoss switch, socket or dimmer is touching the very essence of Lithoss. You instantly feel the quality texture of raw and honest materials. All textures look and feel alive, yet they are subtle, as if stroked by the brush of an angel. These vivid textures are created via manual processes, such as sanding or polishing and galvanic operations in etching baths. Treated with care and feeling these surfaces play with light.

The colour and its perception differs depending on the incidence of light and the angle the surfaces are viewed from.



calibrated production

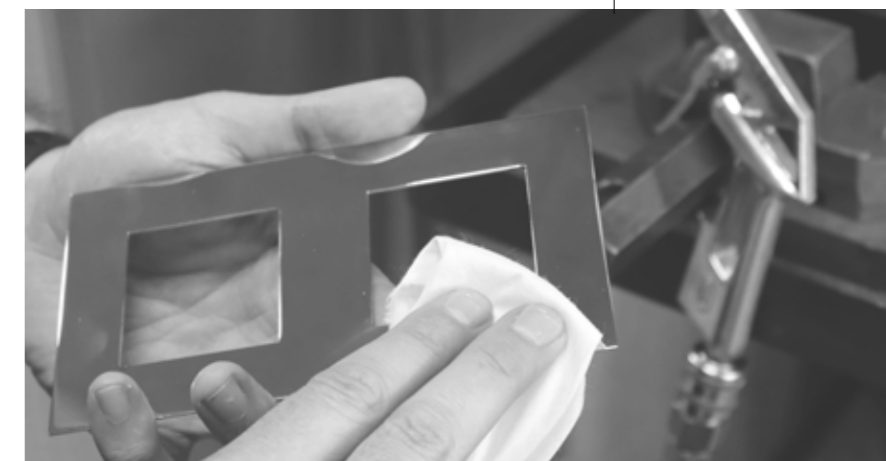
Design, Tradition & *Craftmanship*



brushing

The unique, hand-made products prove our dedication, passion for design and everlasting search for innovation. Lithoss never stands still and stays up-to-date on the ins and outs of the world of interior design, architecture, lighting, home automation and lifestyle. This tradition of innovation has led us to excel and surpass common quality standards for over twenty years now.

final check

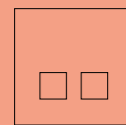


customised engraving

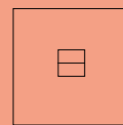


Endless *possibilities*

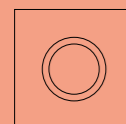
The practically endless combinations our customers can create are the things that provide Lithoss with its unique and exclusive character.



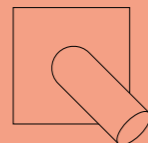
Switch



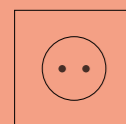
USB
charger



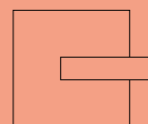
Dimmer



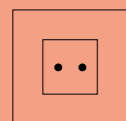
Luminaire



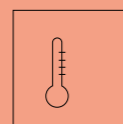
Socket
Round



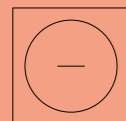
Doorhandle



Socket
Square



Thermostat

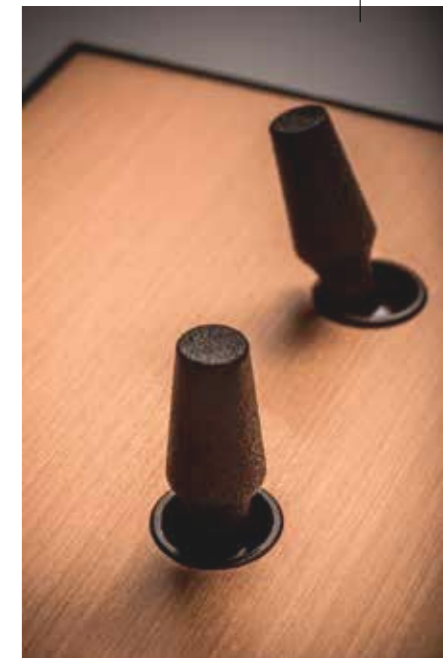


Floor
socket

... and much
more



Void USB / Copper



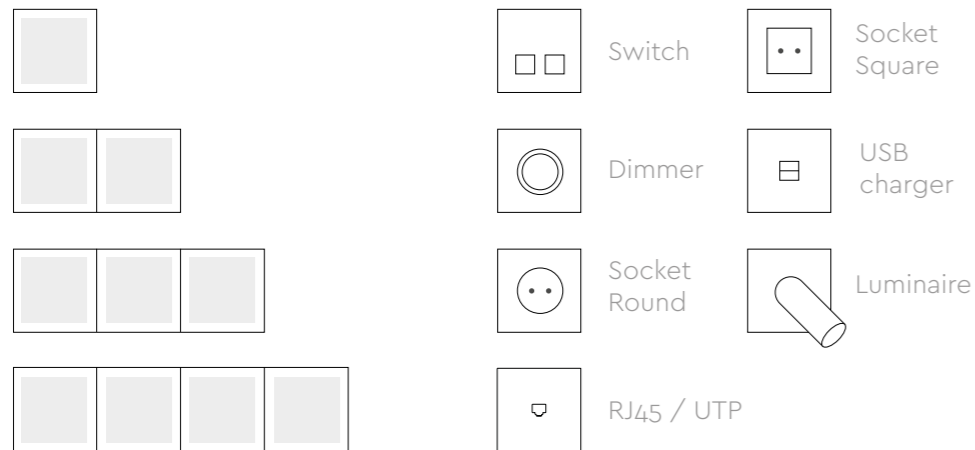
Cockpit / Copper

Lithoss products shine in any setting; as a standalone object or not in the least – as a group, in perfect harmony with architectural spaces. The practically endless combinations our customers can create are the things that provide Lithoss with its unique and exclusive character regarding functionality, finish, recessed or surface-mounted installation, combination options and personalisation.

Dimmer / Copper

Your ideal configuration

How to find your way in this ocean of possibilities? Easy: we navigate you with our online configurator. Step by step we take you towards your ideal personalised switch or socket.



1. CHOOSE YOUR COLLECTION

2. CHOOSE YOUR FRAME

The first steps guide you through the technical options. You can choose from one single frame up to a fourfold frame and then fill up each frame with modules of your choice.

3. CHOOSE THE MODULES

Two switches, one socket and a USB charger? Consider it done. One USB, a luminaire and a socket? You choose, we produce.

For more information:



Our combination options go wherever your inspiration and functional wishes take you.



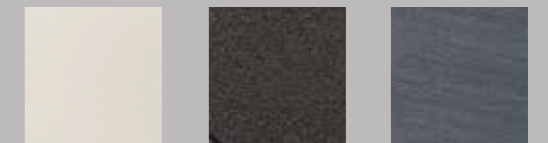
CONFIGURATION SHOWN



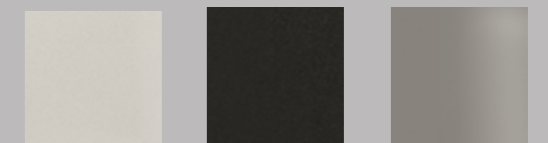
Switch Cockpit + Dimmer

4. CHOOSE YOUR FINISH

The visual options are equally important. Stainless steel, Matt Black, Tin Antique ... what preference for colour and finish suits you most? Discover them all via our online configurator.



Matt White RAL9010 Textured Black Gunpowder Black (Fusain)



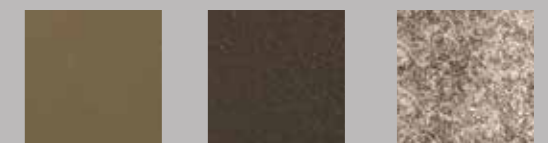
Textured White Matt Black Chrome



Nickel Copper Stainless Steel



Brushed Brass Brass Antique Bronze Antique



Anodic Bronze Anodic Brown Tin Antique

NEW

1. IN THE SELECT, SQUARE, COCKPIT, DIMMER, LUMINAIRES AND VOID RANGE

Opera

Opera was created as a reference product for the Italian market. The same high quality and minimalistic design as the Lithoss standard collections but suitable for renovation projects where 503E boxes are installed. The name Opera, takes inspiration from the works of art, that characterize Italy.

Britannica

Don't be fooled by the name, Britannica is a design solution for double UK standard boxes but also for Italian 504E boxes. All Lithoss elements fit inside a new, smaller frame that brings all elements closer together, resulting in a well-balanced switch.

Circum

Round shapes make interiors look comfortable and inviting. They seem to give off that calming feel. This is why we offer our well-known collections in a round shape named Circum.

2. AESTEEM

A versatile switch in the world of home automation that meets all present-day requirements. Add engraving and you're set.



3. ARPI ROUND

Ever imagined how an Arpi IP66 in round form would look like? They say round shapes contrast well with straight lines. Here he is, ready to last for an eternity without going out of style.



Index

20

Switches



116

Sockets



182

Dimmers



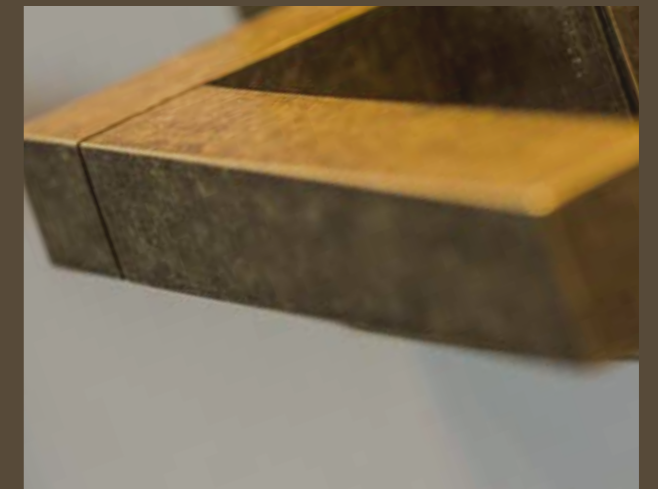
192

Luminaires



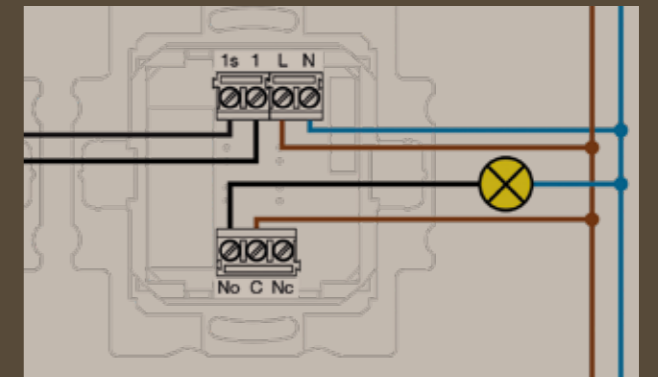
214

Specials



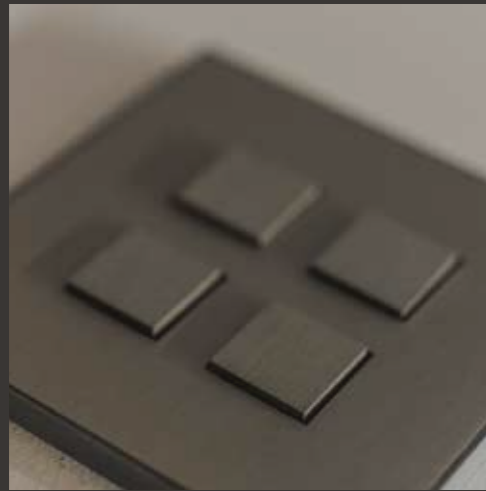
238

Technical



Switches

22 Select



50 Aesteem



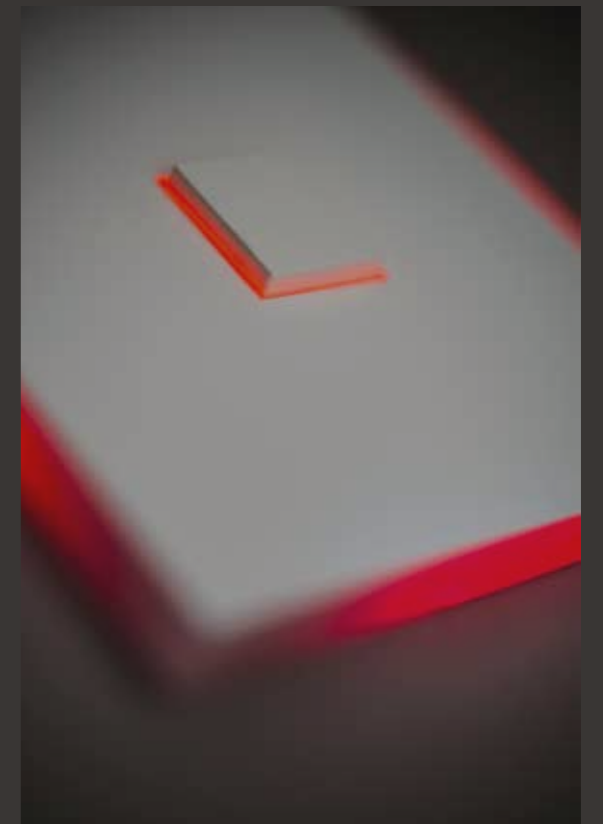
60 Cockpit



86 Squares



104 Illume



Select

The first series, but still surprising



Design by Bart Spillemaeckers

Lithoss was founded at the beginning of the century by installer Bart Spillemaeckers in response to the demand for exclusive, timeless and classy switches. SELECT was the first series within the Lithoss product range.

It is and will always will be a unique selection with a timeless design.

Meanwhile, SELECT has turned into an international trendsetter with an impressive track record of reference projects, including hotel 1898 The Post Belgium, Rosewood hotel Austria and Nana Beach hotel Crete Greece.

The series consists of a spectrum of 15 finishes, which allows you to really customise your SELECT switches.

Thanks to the intensive process of radical innovation of materials and finishing techniques the SELECT concept is constantly evolving. The stylish class of SELECT will definitely keep on surprising you.

Available shapes



Circum

Technology



Push Button
24V - 250V



Push Button
+ Feedback
led white
24V



Push Button
+ Feedback
led amber
24V

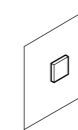


KNX sensor
RGB led +
temp. sensor



Teleruptor
250V - 16A

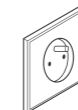
Setups & Combinations



Select is also available in a Flush edition for a perfectly flat surface.

FIND OUT MORE ABOUT
SELECT FLUSH

 [Check page 222](#)



Ever thought about combining? Both Socket and Dimmer work great with Select.

FOR COMBINATIONS &
PERSONALISATION ON DEMAND

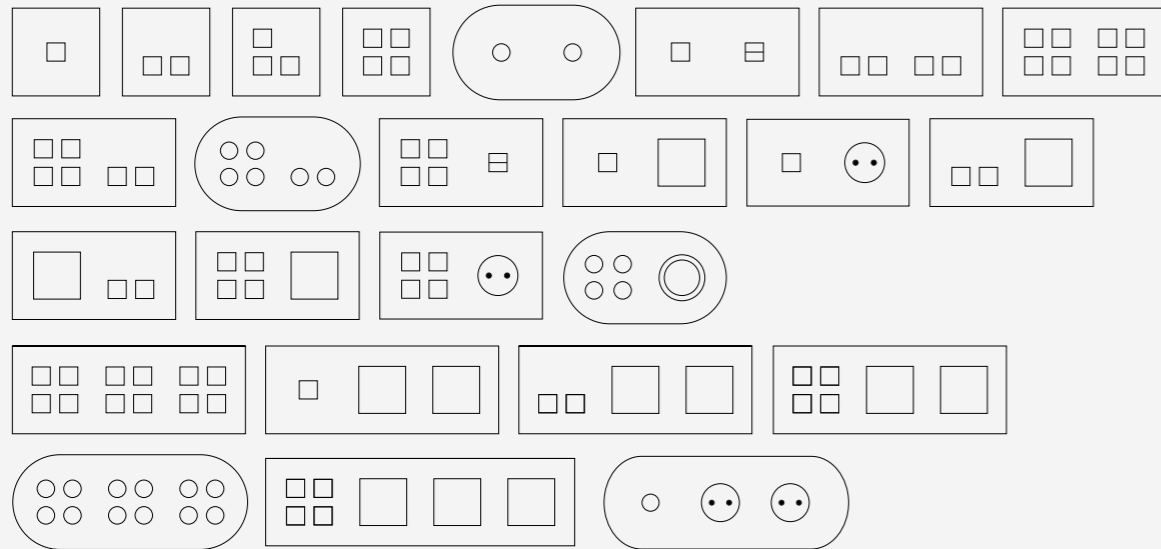
 [Check page 272](#)



Select

Setups & combinations

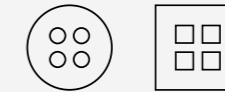
OVERVIEW STANDARD COLLECTION



STANDARD COLLECTION

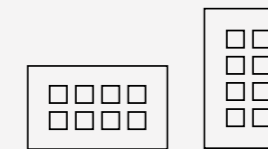
European Standard

Our products are originally designed for the standard European market using wallboxes with a heart to heart distance of 71mm. In a response to popular demand, Lithoss expanded its product range to the Italian and British market by introducing the Opera and Britannica frames.



BRITISH STANDARD

Fits only on a British Standard double and Italian 504E electrical wall box. Our European standard collection is compatible with the single British Standard wall boxes. Horizontal & vertical solutions.



OPERA

Designed for Italian Standard 503E and US single wall boxes. Horizontal & vertical solutions.



Matt White



Circum 4R



Textured White



Matt Black



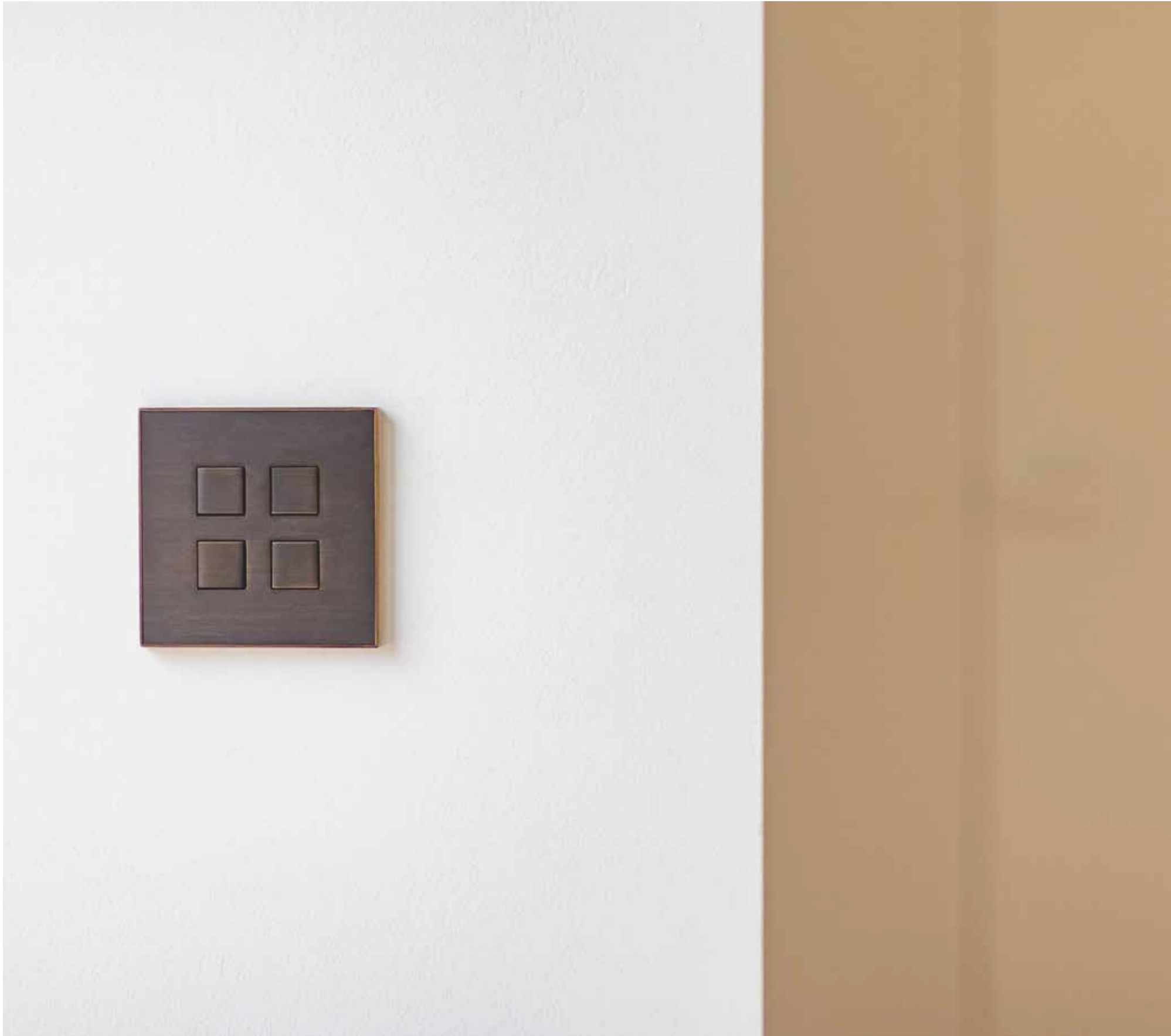
Textured Black



Combination
4T + Dimmer



4T KNX



Bronze Antique



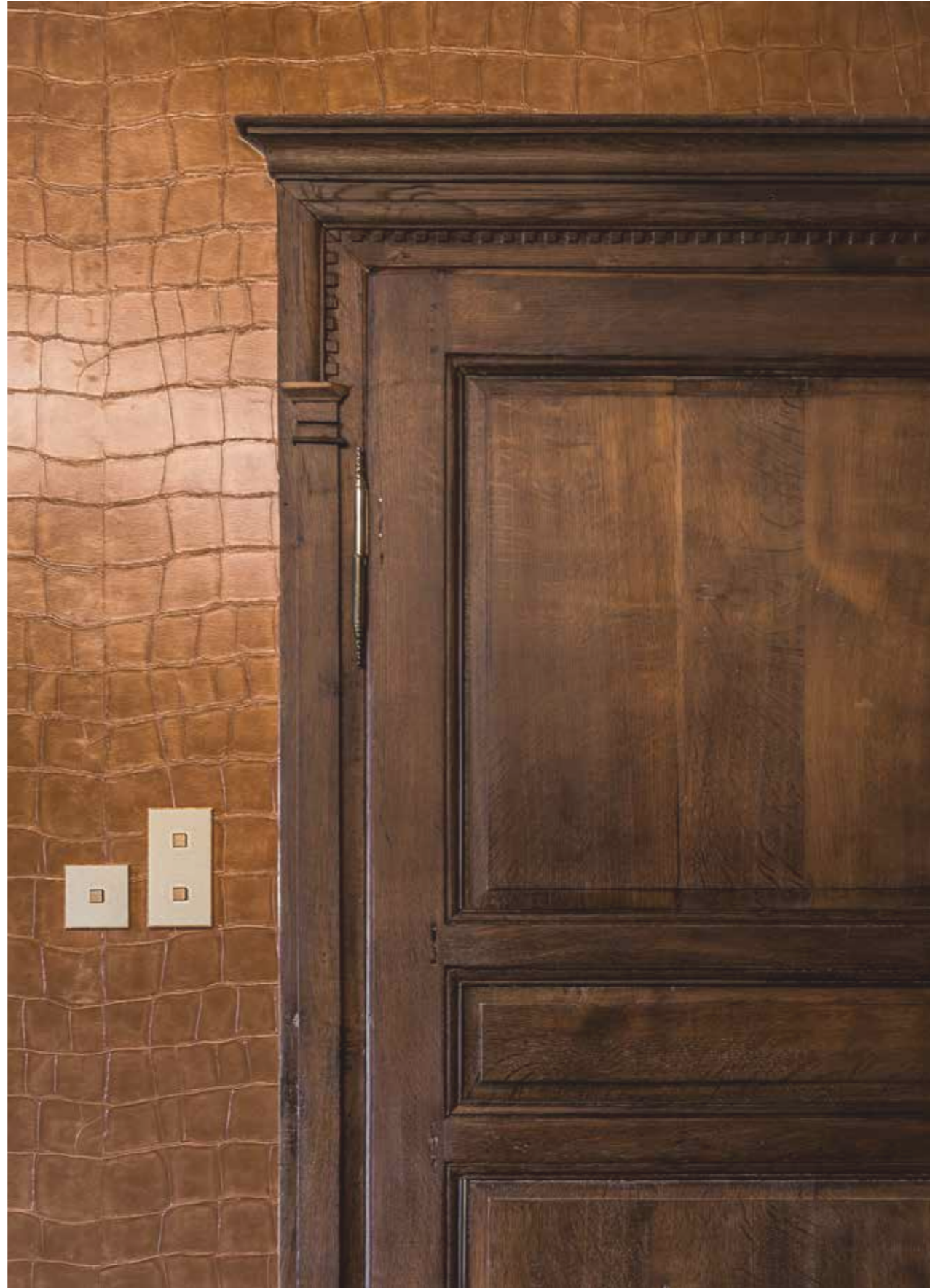


Stainless Steel



Opera 4T





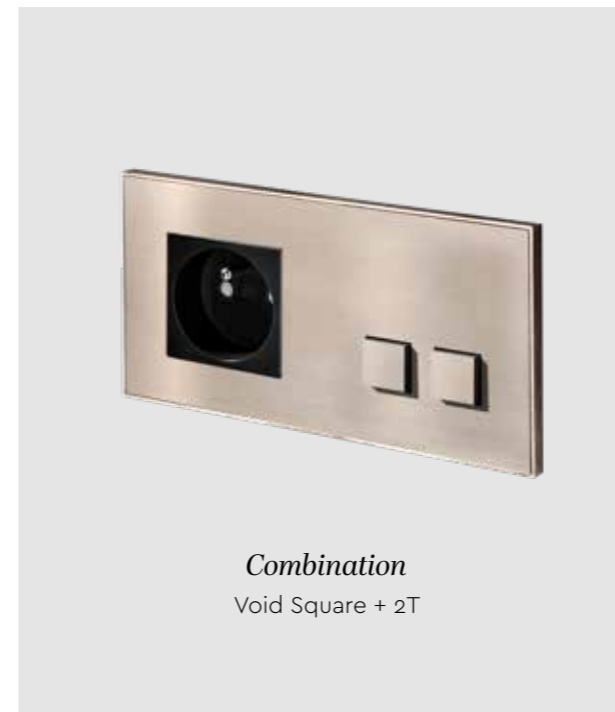
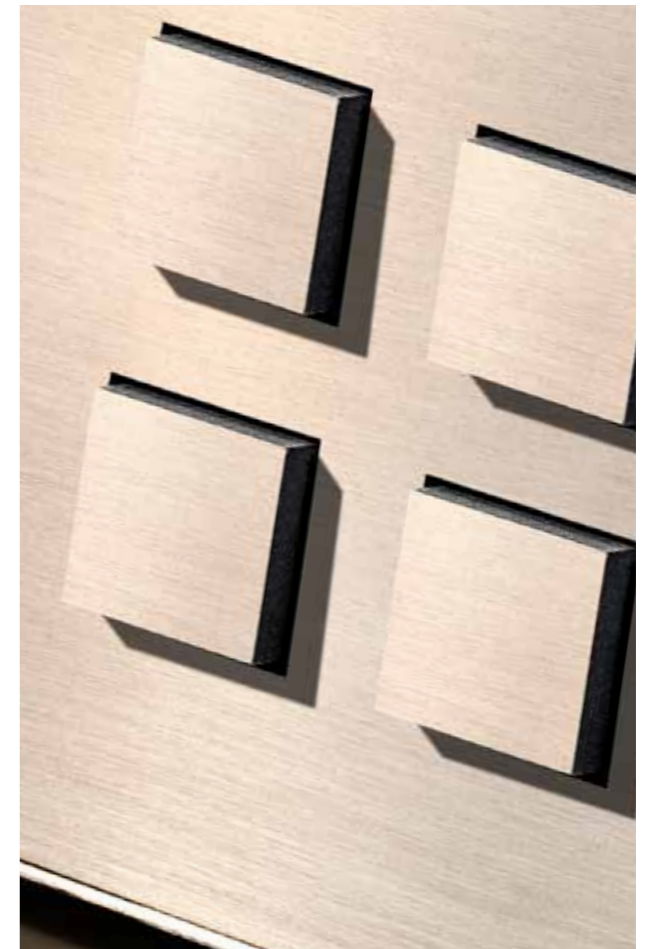
Brushed Brass



Combination
4T + Void USB



Nickel



Combination
Void Square + 2T



Chrome



Opera 4T



Gunpowder Black



Britannica 44T

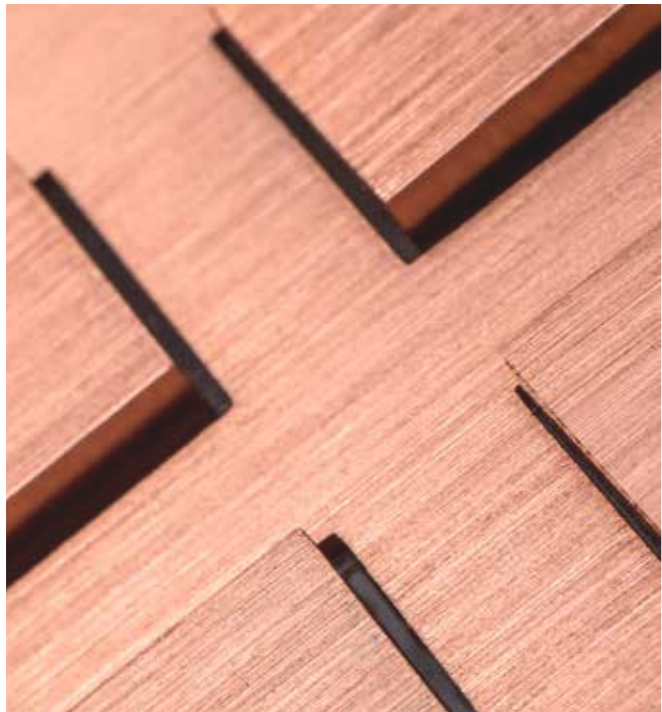


Did you know that when you engrave gunpowder black you create beautiful copper symbols.



Select

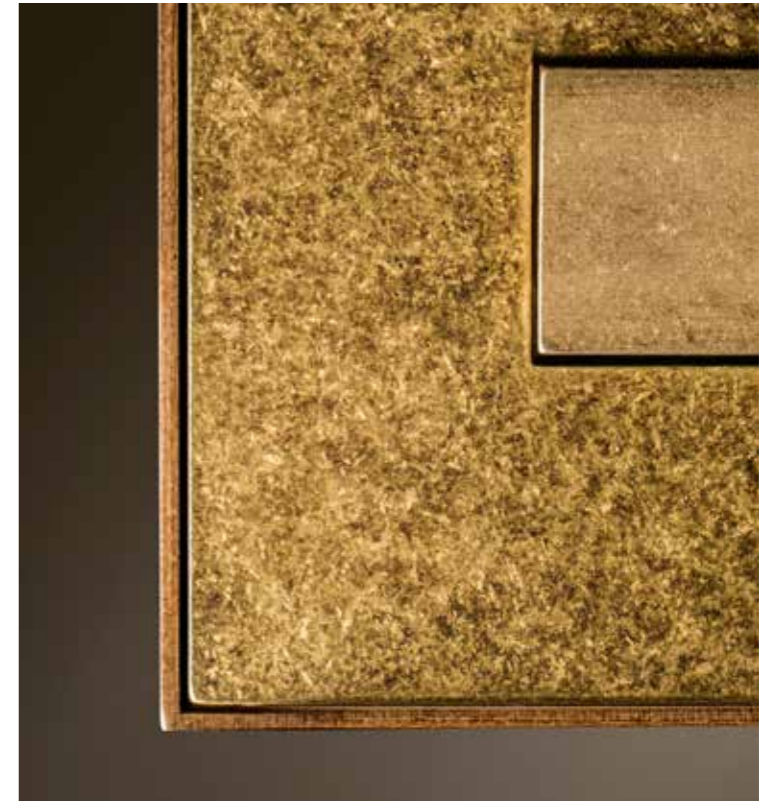
Copper



Tin Antique



Brass Antique

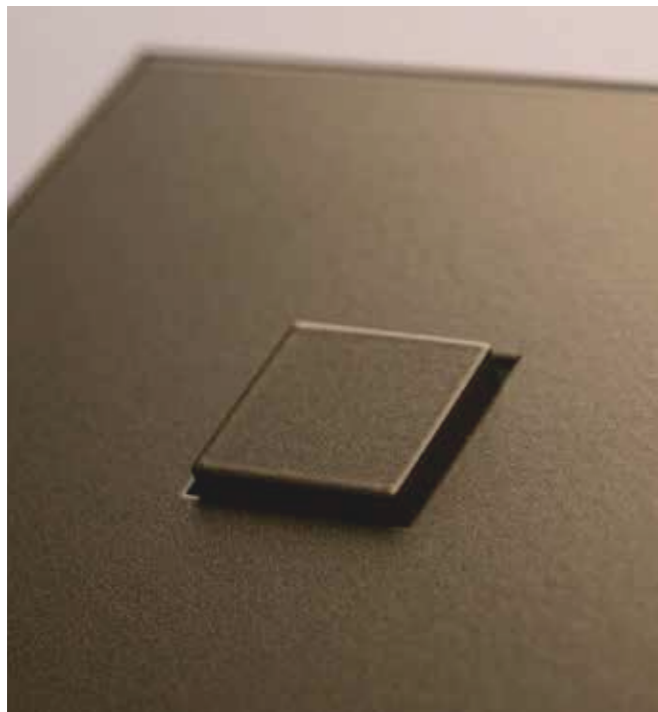


Anodic Brown

NEW



Circum 1R



Anodic Bronze

NEW



Anodic finishes are extremely popular in modern architecture because of their subtle metallic effects.



Select

Textures & colours

COLOUR COMBINATIONS



02 Matt White



13 Textured White



06 Brushed Brass



20 Brass Antique



17 Bronze Antique



18 Matt Black



14 Textured Black



29 Copper



19 Tin Antique



01 Stainless Steel



03 Gunpowder Black (Fusain)



08 Chrome



09 Nickel



45 Anodic Brown Circum 1R

NEW



44 Anodic Bronze



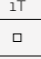
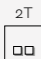

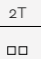


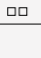
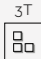

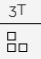


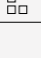


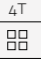


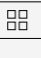
NEW

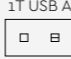


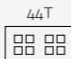

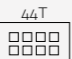
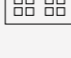

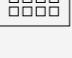
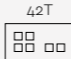

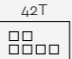
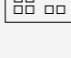

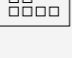
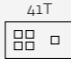
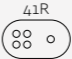
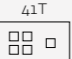
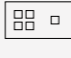


Get in touch

for combinations & personalisation on demand.

page 272

Select

Type	Standard Collection	Circum	Opera
24V-250V push button	Ni31xx	CN31xx	ON31xx
24V + led white	Ni71xx	CN71xx	ON71xx
24V + led amber	Ni81xx 	CN81xx 	ON81xx 
KNX (led & temp sensor)	NiK1xx	CNK1xx	ONK1xx
Teleruptor	NiA1xx	CNA1xx	ONA1xx
24V-250V push button	Ni32xx	CN32xx	ON32xx
24V + led white	Ni72xx 	CN72xx 	ON72xx 
24V + led amber	Ni82xx 	CN82xx 	ON82xx 
KNX (led & temp sensor)	NiK2xx	CNK2xx	ONK2xx
24V-250V push button	Ni33xx	CN33xx	ON33xx
24V + led white	Ni73xx 	CN73xx 	ON73xx 
24V + led amber	Ni83xx 	CN83xx 	ON83xx 
KNX (led & temp sensor)	NiK3xx	CNK3xx	ONK3xx
24V-250V push button	Ni34xx	CN34xx	ON34xx
24V + led white	Ni74xx 	CN74xx 	ON74xx 
24V + led amber	Ni84xx 	CN84xx 	ON84xx 
KNX (led & temp sensor)	NiK4xx	CNK4xx	ONK4xx

Type	Standard Collection	Circum	Britannica
24V-250V push button	Ni310Uxx	CN310Uxx	BN310Uxx
24V + led white	Ni710Uxx	CN710Uxx	BN710Uxx
24V + led amber	Ni810Uxx 	CN810Uxx 	BN810Uxx 
KNX (led & temp sensor)	NiK10Uxx	CNK10Uxx	BNK10Uxx
Teleruptor	NiA10Uxx	CNA10Uxx	BNA10Uxx
24V-250V push button	Ni3434xx	CN3434xx	BN3434xx
24V + led white	Ni7474xx 	CN7474xx 	BN7474xx 
24V + led amber	Ni8484xx 	CN8484xx 	BN8484xx 
KNX (led & temp sensor)	NiK4K4xx	CNK4K4xx	BNK4K4xx
24V-250V push button	Ni3432xx	CN3432xx	BN3432xx
24V + led white	Ni7472xx 	CN7472xx 	BN7472xx 
24V + led amber	Ni8482xx 	CN8482xx 	BN8482xx 
KNX (led & temp sensor)	NiK4K2xx	CNK4K2xx	BNK4K2xx
24V-250V push button	Ni3431xx	CN3431xx	BN3431xx
24V + led white	Ni7471xx 	CN7471xx 	BN7471xx 
24V + led amber	Ni8481xx 	CN8481xx 	BN8481xx 
KNX (led & temp sensor)	NiK4K1xx	CNK4K1xx	BNK4K1xx

Setups & combinations







DISCOVER ALL COMBINATION POSSIBILITIES WITH OUR CONFIGURATOR

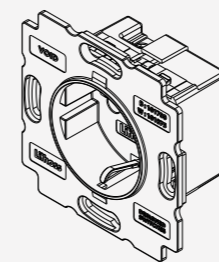
Dimensions & wall boxes: see technical guide:

 [page 240 & 262](#)

xx Add the colours code at the end for any colours you desire:
Add V behind the article code for vertical installation of plate.

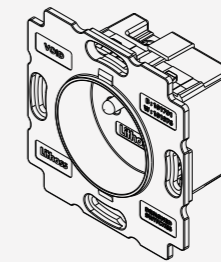
 [page 46 - 47](#)

Type	EU (type F)		FR/BE (type E)	
	White	Black	White	Black
24V-250V push button	Ni310Hxx	Ni310Lxx	Ni310Jxx	Ni310Lxx
24V + led white	Ni710Hxx	Ni710Lxx	Ni710Jxx	Ni710Lxx
24V + led amber	Ni810Hxx 	Ni810Lxx	Ni810Jxx	Ni810Lxx
KNX (led & temp sensor)	NiK10Hxx	NiK10Lxx	NiK10Jxx	NiK10Lxx
Teleruptor	NiA10Hxx	NiA10Lxx	NiA10Jxx	NiA10Lxx
24V-250V push button	CN340Hxx	CN340Lxx	CN340Jxx	CN340Lxx
24V + led white	CN740Hxx 	CN740Lxx	CN740Jxx	CN740Lxx
24V + led amber	CN840Hxx 	CN840Lxx	CN840Jxx	CN840Lxx
KNX (led & temp sensor)	CNK40Hxx	CNK40Lxx	CNK40Jxx	CNK40Lxx



TYPE F

Conformity to Standards for GERMANY according to DIN VDE 0620-1 Standard.



TYPE E

Conformity to Standards for FRANCE according to NF C 61-314 Standard.
for BELGIUM according to NBN C 61-112-1 Standard.

Aesteem

Design by
Pieter Stichelbaut &
Matthias De Buck

Get the most out of a switch



AESTEEM – a compound of 'aesthetics' and 'esteem' was awarded the Henry van de Velde label. That same year AESTEEM also received an A Design Award. This is, amongst others, thanks to the switch's sleek and architectural look. Similar to all of the other Lithoss products, AESTEEM has a very distinctive design with the square as basic form.

The switch meets all the present-day requirements without having to compromise on authenticity and craftsmanship.

Aesteem is the only switch that allows 8 push buttons to be incorporated into one module.

Aesteem has sockets in the same design to complete your project.

Technology



Push
Button
24V



Push
Button
24V +
Feedback
RGB



Push
Button
24V
orientation
RGB



Push Button
24V
orientation RGB
& Feedback
RGB

Textured White





Textured Black



8T + Socket EU

Anodic Bronze

NEW



Anodic Brown

NEW



Aesteem

Textures & colours

AVAILABLE FINISHES



13 Textured White



14 Textured Black



45 Anodic Brown



44 Anodic Bronze

Get in touch

for combinations & personalisation on demand.

 page 272

Cockpit

Design by Lithoss

Cockpit offers the ultimate design solution for all your renovation projects. This 6-ampere two-way switch can be connected directly to your conventional installation. Cockpit is available in the well-known stylish Lithoss finishes, including the collection's bestseller Bronze Antique and public's favourite Gunpowder Black. Finishes that generate a striking effect in both traditional and ultramodern interiors.

The unique character of this cockpit switch is not only expressed in the handmade finishing but also in the matching toggles. The cone shape creates a classic and timeless look whereas the knurl shape gives your switch that highly appreciated touch of vintage.

That highly appreciated touch of vintage



Available shapes



Circum

Technology



2 Way
Switch
250V - 6A



Push
Button
24V-250V
10A



Shutter
Switch
250V -10A



Cross
Switch
250V-6A



2 Way
Switch
+ Feedback
light
250V-6A

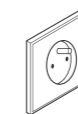


Push
Button
+ Feedback
light
250V-10A



Shutter
Switch
+ Feedback
light
250V-10A

Setups & Combinations



Ever thought about combining? Both Void and Dimmer work great with Cockpit.

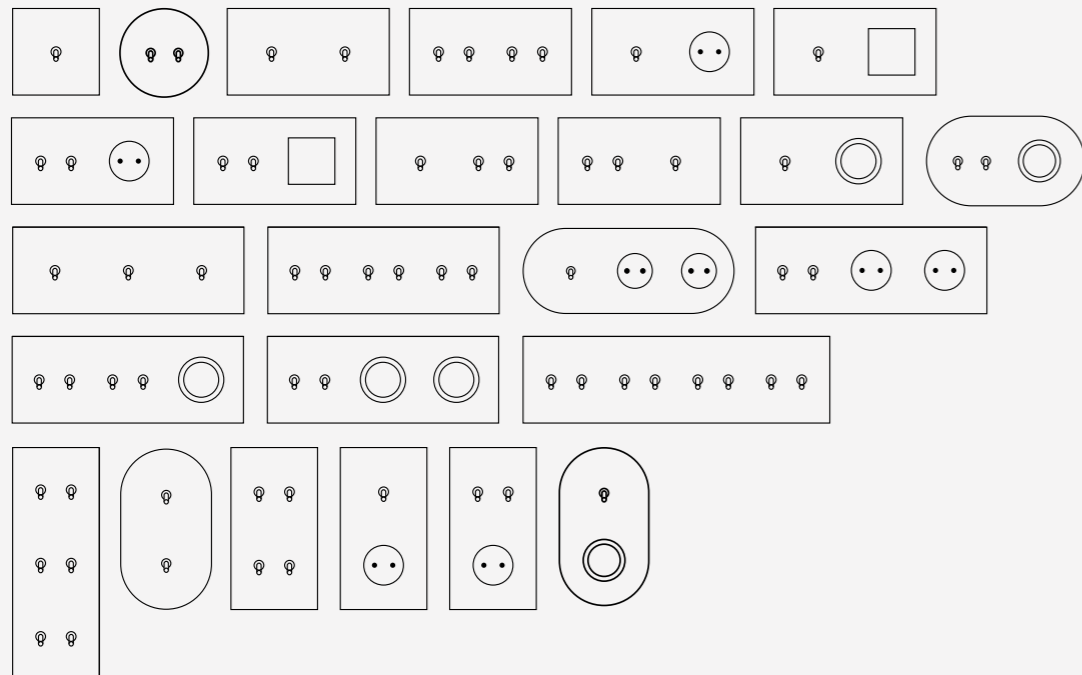
FOR COMBINATIONS &
PERSONALISATION ON DEMAND

Check page 272

Cockpit

Setups & combinations

OVERVIEW



Dimensions & wall boxes: see technical guide

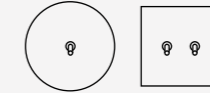
page 240 & 262



STANDARD COLLECTION

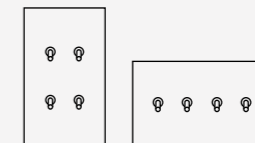
European Standard

Our products are originally designed for the standard European market using wallboxes with a heart to heart distance of 71mm. In a response to popular demand, Lithoss expanded its product range to the Italian and British market by introducing the Opera and Britannica frames.



BRITISH STANDARD

Fits only on a British Standard double and Italian 504E electrical wall box. Our European standard collection is compatible with the single British standard wall boxes. Horizontal & vertical solutions.



OPERA

Designed for Italian Standard 503E and US single wall boxes. Horizontal & vertical solutions.



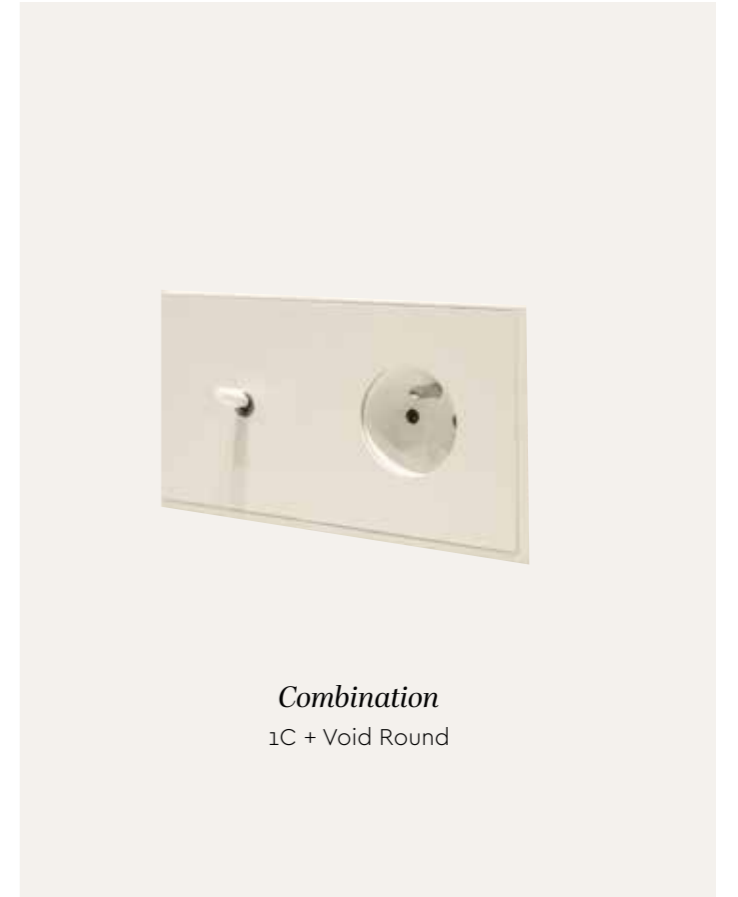
Matt White



1C + Textured Black Cone



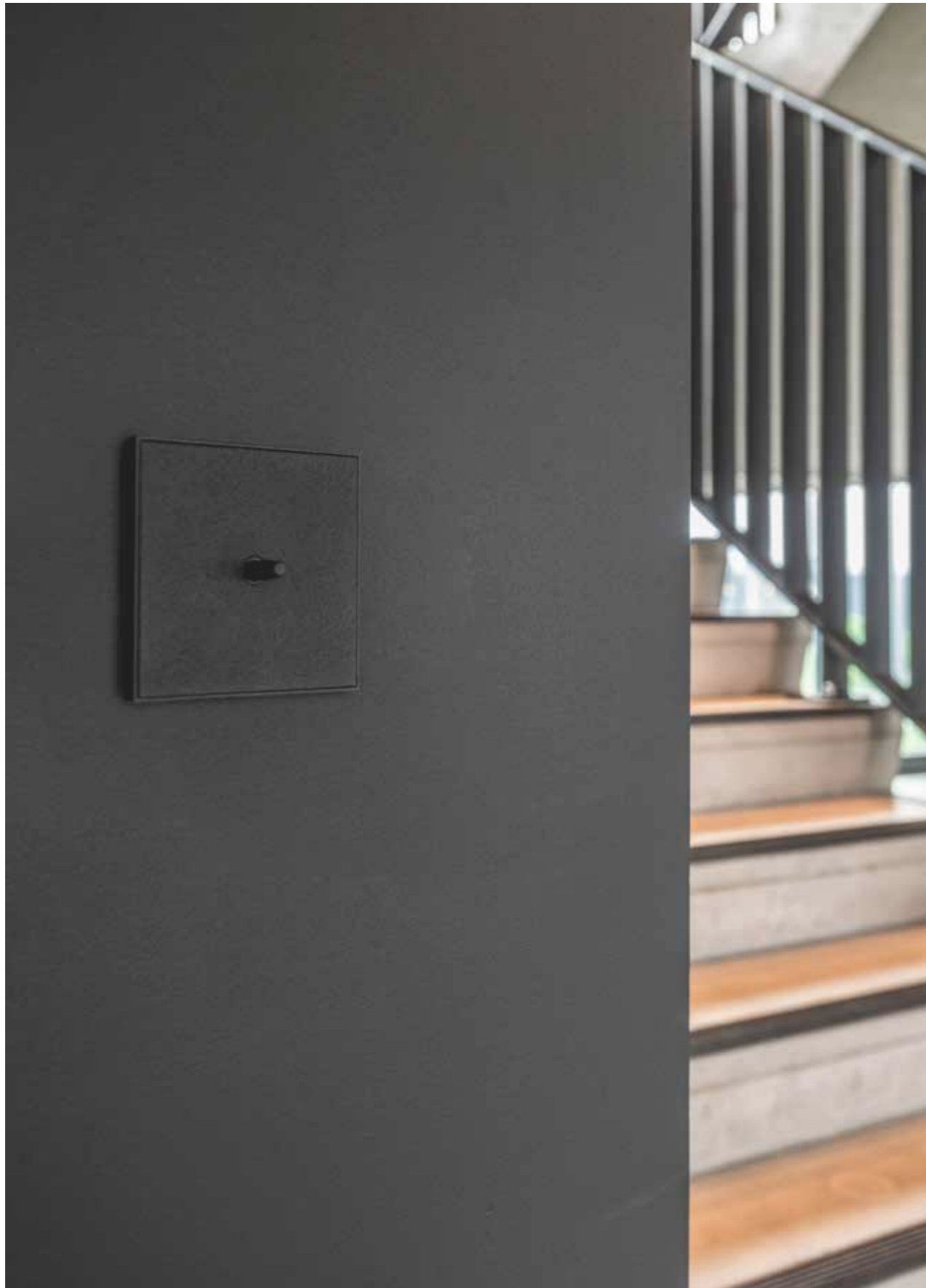
Opera 2C + Textured Black Cone



Combination
1C + Void Round



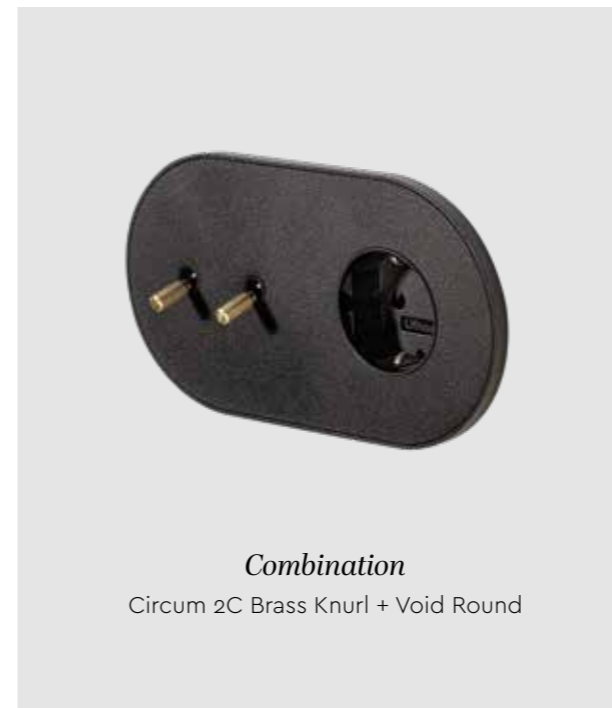
Britannica 22C



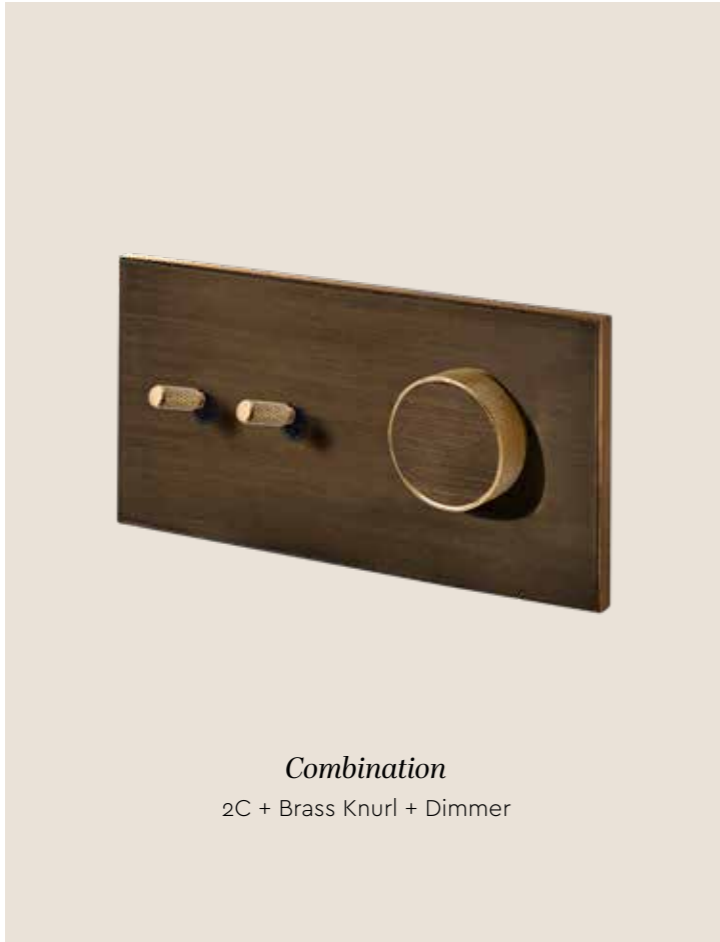
Textured Black



Circum 2C + Brass Knurl



1C + Brushed Brass Frame + Brass Knurl



Bronze Antique



Britannica 22C + Brass Knurl

Did you know that the brushing can be adjusted according to the installation position





Stainless Steel



2C + Textured Black Frame & Cone



Britannica 2C + Nickel Knurl

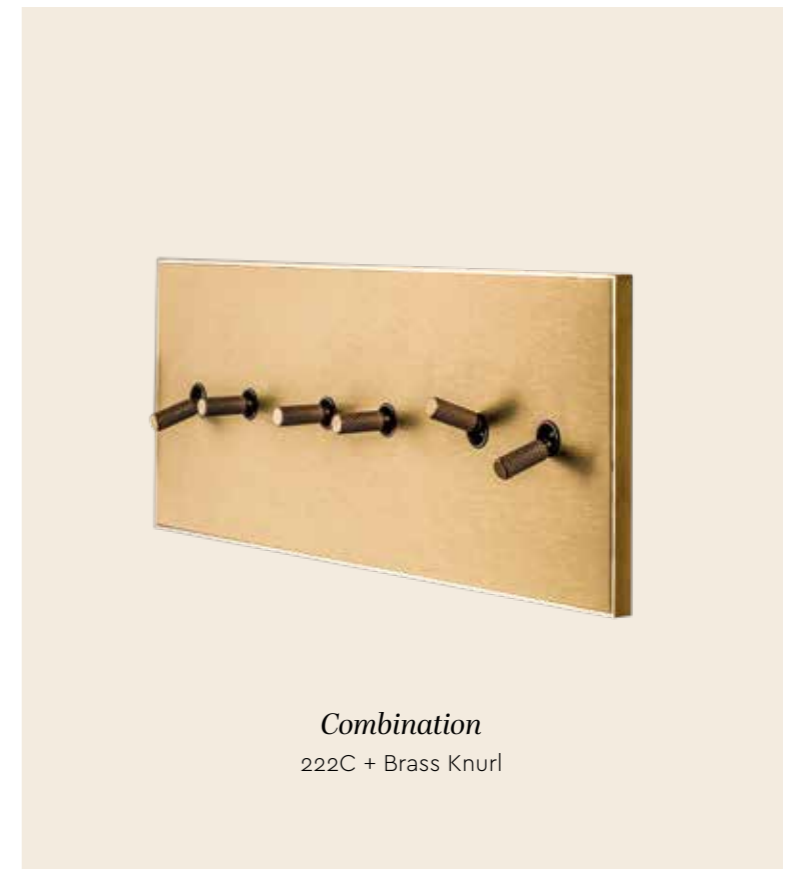
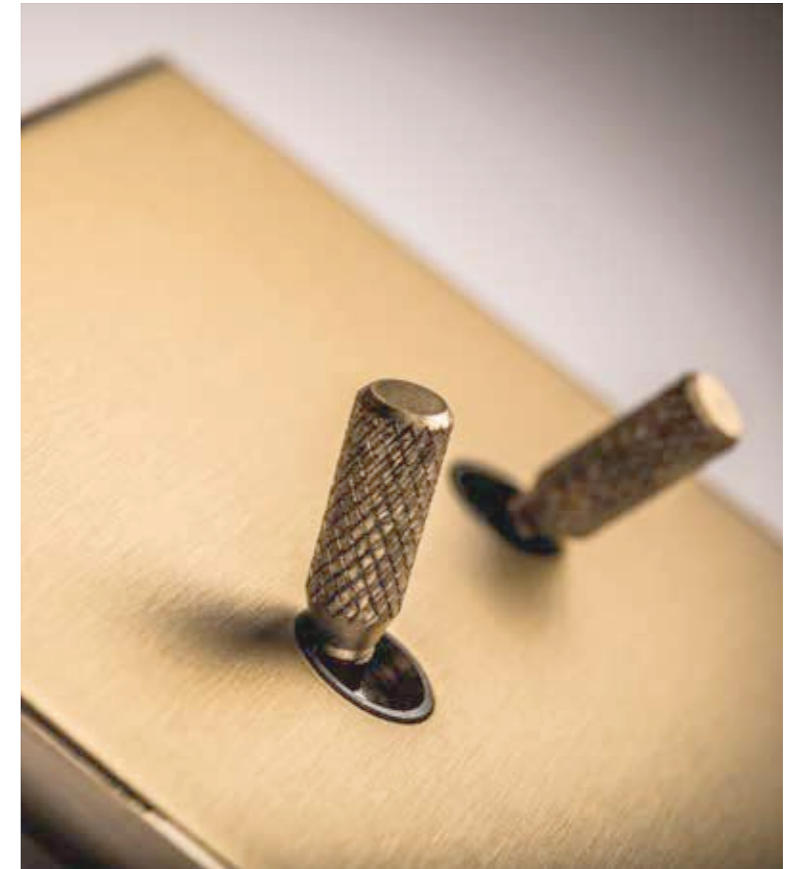
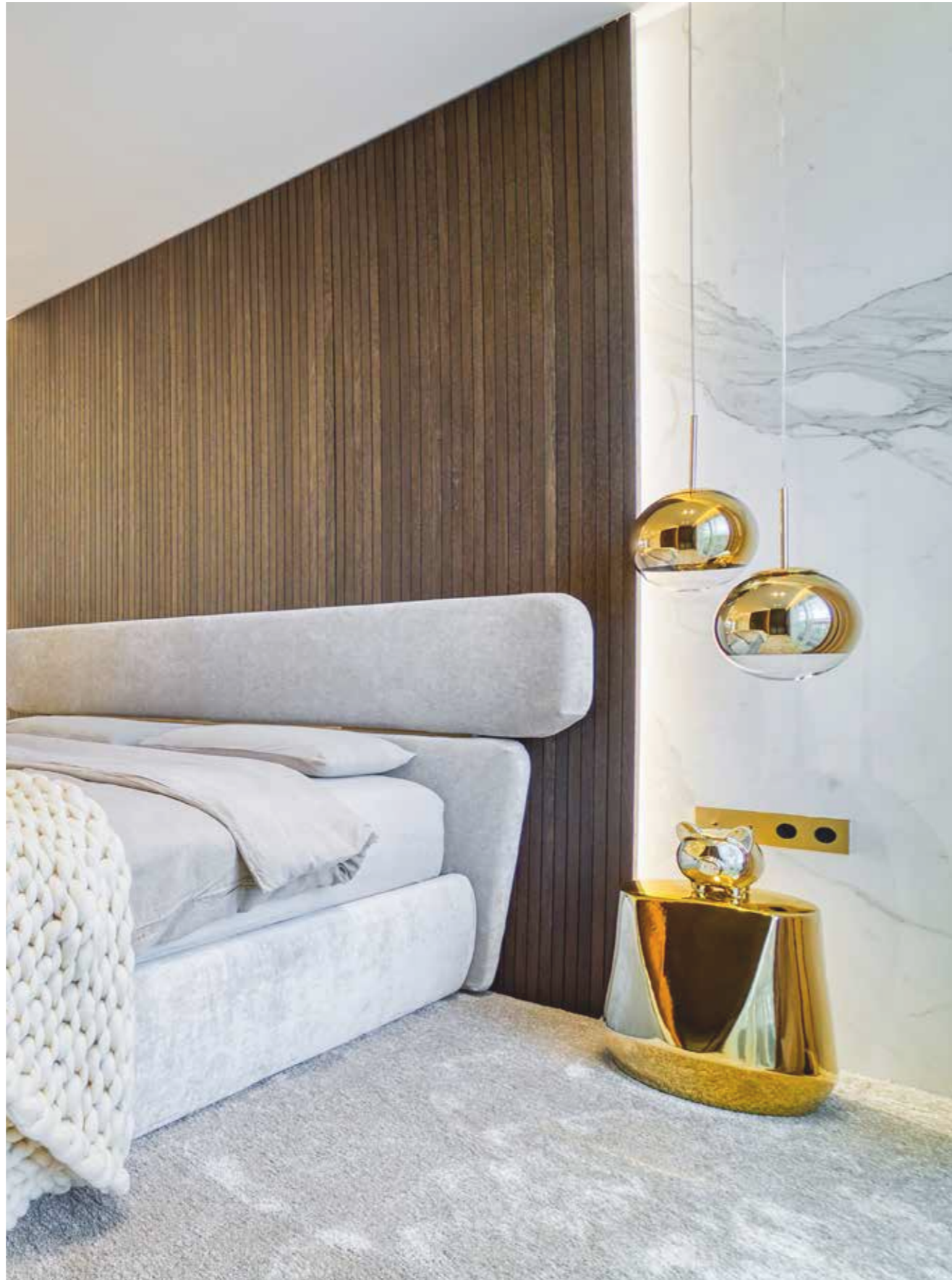
Brushed Brass



Opera 2C



1C + Textured Black Frame & Cone



Combination
222C + Brass Knurl



Nickel



1C + Nickel Cone

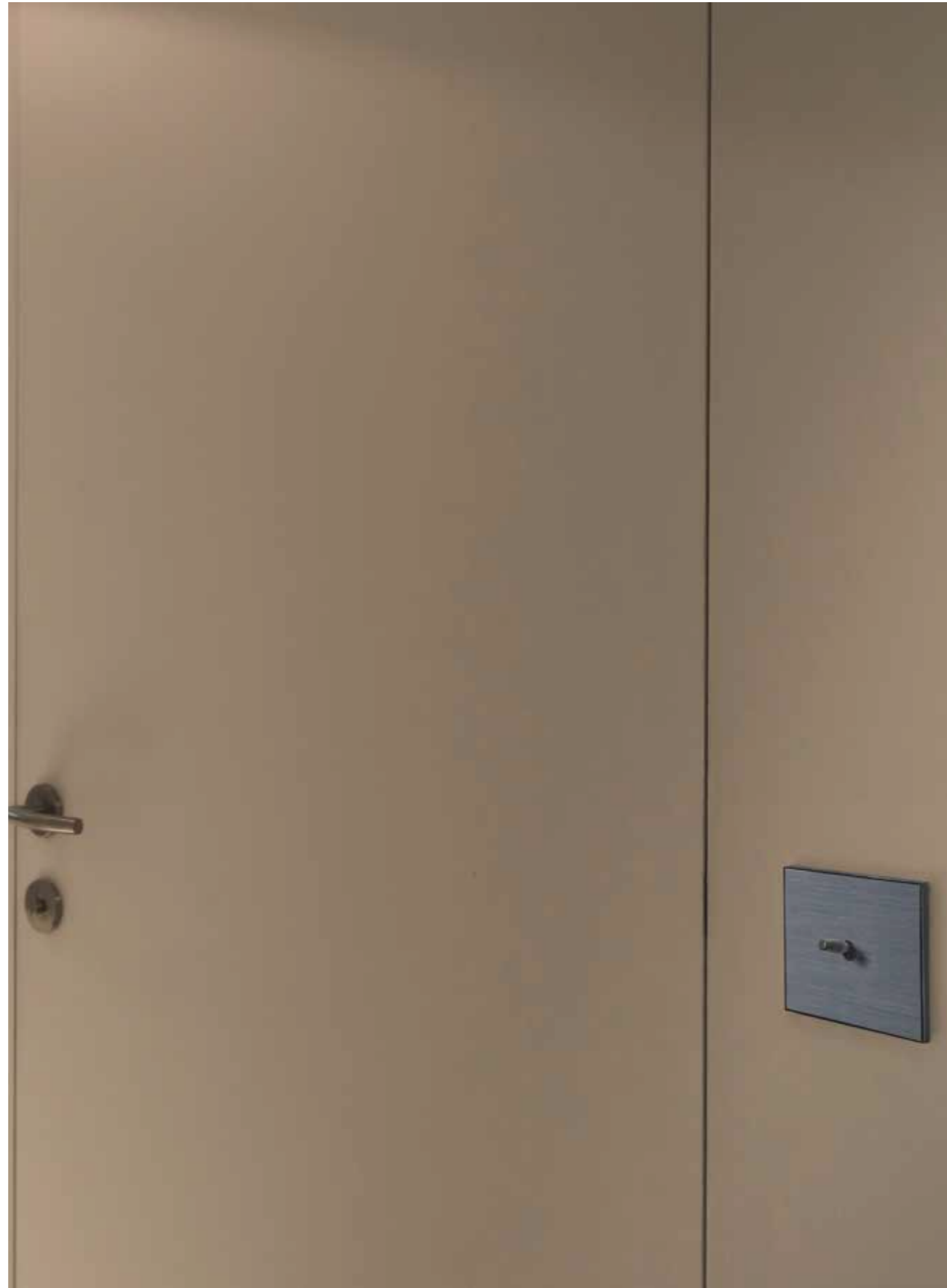
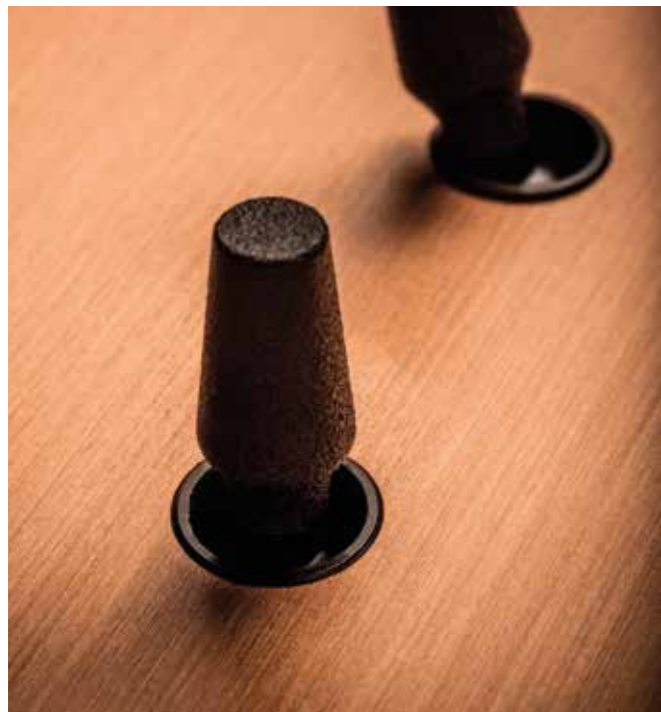


1C + Nickel Knurl

Copper



1C + Textured Black Frame & Cone



Gunpowder Black



1C + Matt Black Cone



Tin Antique



Brass Antique



Combination

2C Nickel Knurl + Void Round 2V



Anodic Brown

NEW



Anodic brown & bronze have an anodised finish and offer all the benefits of a powder coating.

NEW

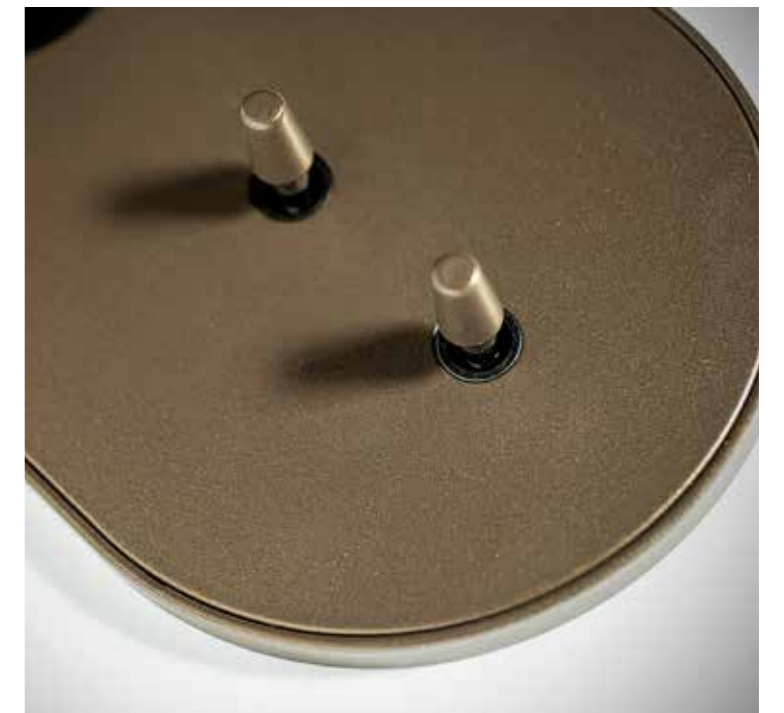


Circum 1C



Anodic Bronze

NEW



Textures & colours

COLOUR COMBINATIONS



35 Matt White + Textured Black Cone



31 Matt White + Textured Black



02 Matt White



14 Textured Black



32 Textured Black + Nickel Knurl



46 Textured Black + Brass Knurl Circum



41 Gunpowder Black + Matt Black Cone



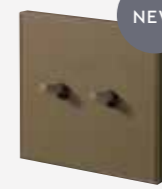
34 Copper + Textured Black



40 Brass Antique



42 Tin Antique



45 Anodic Brown



17 Bronze Antique



39 Bronze Antique + Brass Knurl



44 Anodic Brown Circum



38 Stainless Steel + Nickel Knurl



30 Stainless Steel + Textured Black



09 Nickel



43 Nickel Knurl



37 Brushed Brass + Knurl



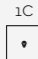
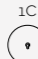
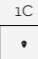

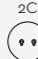

33 Brushed Brass + Textured Black

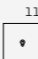
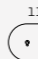
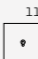

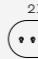

Get in touch

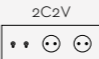
for combinations & personalisation on demand.

page 272

Cockpit

Type	Standard Collection	Circum	Opera
250V 2-way	Co11xx	CC11xx	OC11xx
250V shutter	Co21xx	CC21xx	OC21xx
24V-250V push button	Co31xx	CC31xx	OC31xx
250V Cross	CoP1P1xx 	CCP1P1x 	OCP1P1xx 
250V 2-way + neon	Co41xx	CC41xx	OC41xx
250V shutter + neon	Co51xx	CC51xx	OC51xx
250V push button + neon	Co61xx	CC61xx	OC61xx
250V 2-way	Co12xx	CC12xx	OC12xx
250V shutter	Co22xx	CC22xx	OC22xx
24V-250V push button	Co32xx	CC32xx	OC32xx
250V 2-way + neon	Co42xx 	CC42xx 	OC42xx 
250V shutter + neon	Co52xx	CC52xx	OC52xx
250V push button + neon	Co62xx	CC62xx	OC62xx

Type	Standard Collection	Circum	Britannica
250V 2-way	Co1111xx	CC1111xx	BC1111xx
250V shutter	Co2121xx	CC2121xx	BC2121xx
24V-250V push button	Co3131xx	CC3131xx	BC3131xx
250V Cross	CoP1P1xx 	CCP1P1xx 	OCP1P1xx 
250V 2-way + neon	Co4141xx	CC4141xx	BC4141xx
250V shutter + neon	Co5151xx	CC5151xx	BC5151xx
250V push button + neon	Co6161xx	CC6161xx	BC6161xx
250V 2-way	Co1211xx	CC1211xx	BC1211xx
250V shutter	Co2221xx	CC2221xx	BC2221xx
24V-250V push button	Co3231xx	CC3231xx	BC3231xx
250V 2-way + neon	Co4241xx 	CC4241xx 	BC4241xx 
250V shutter + neon	Co5251xx	CC5251xx	BC5251xx
250V push button + neon	Co6261xx	CC6261xx	BC6261xx


Type	EU (type F)		FR/BE (type E)	
	White	Black	White	Black
250V 2-way	Co120lOHxx	Co120lOlxx	Co120lOJxx	Co120lOLxx
250V shutter	Co220lOHxx	Co220lOlxx	Co220lOJxx	Co220lOLxx
24V-250V push button	Co320lOHxx	Co320lOlxx	Co320lOJxx	Co320lOLxx
250V 2-way + neon	Co420lOHxx 	Co420lOlxx	Co420lOJxx	Co420lOLxx
250V shutter + neon	Co520lOHxx	Co520lOlxx	Co520lOJxx	Co520lOLxx
250V push button + neon	Co620lOHxx	Co620lOlxx	Co620lOJxx	Co620lOLxx

Setups & combinations



GET IN TOUCH FOR COMBINATIONS AND PERSONALISATION ON DEMAND

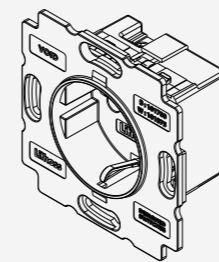
Dimensions & wall boxes: see technical guide:

 page 240 & 262

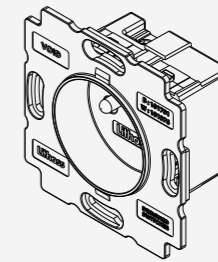
xx Add the colours code at the end for any colours you desire:

 page 82-83

Add V behind the article code for vertical installation of plate.



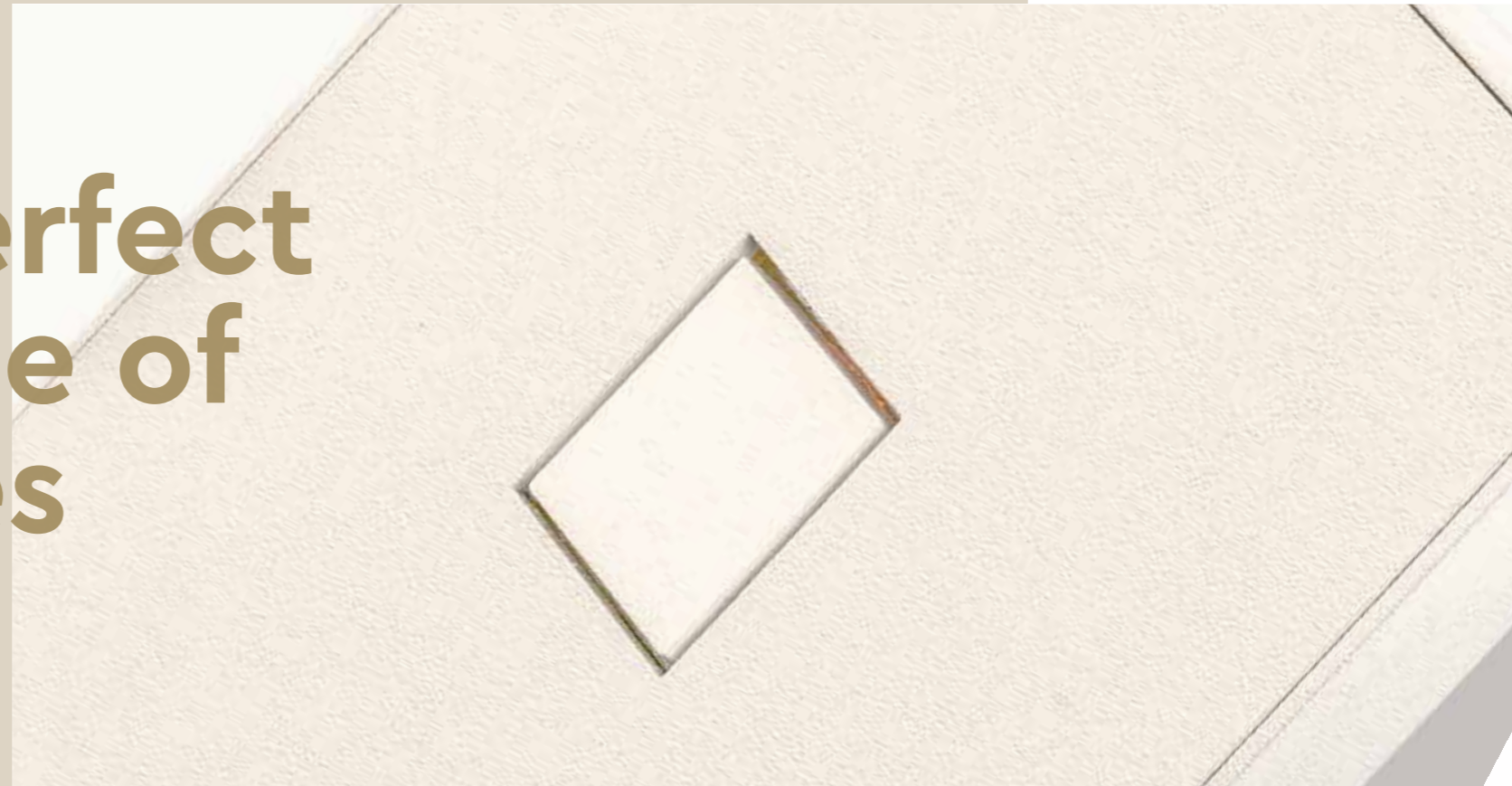
TYPE F
Conformity to Standards for GERMANY according to DIN VDE 0620-1 Standard.



TYPE E
Conformity to Standards for FRANCE according to NF C 61-314 Standard. for BELGIUM according to NBN C 61-112-1 Standard.

Squares

The perfect balance of squares



Design by Lithoss

Never change a winning design ... But when the timeless design of the SELECT range was given a new look, everybody was amazed by the result. As a flush-mounted switch (= submerged in the wall) this Lithoss design shines in all its glory. SQUARES can be sleekly integrated in any interior. The design harmoniously blends in and creates a space that is in perfect balance.

Available shapes



Circum

Technology



Push Button
24V - 250V



Push Button
+ Feedback
led white
24V



Push Button
+ Feedback
led amber
24V

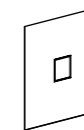


KNX sensor
RGB led +
temp. sensor



Teleruptor
250V - 16A

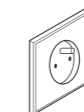
Setups & Combinations



Squares is also available in a Flush edition for a perfectly flat surface.

FIND OUT MORE ABOUT
SQUARES FLUSH

 [Check page 222](#)



Ever thought about combining? Both Socket and Dimmer work great with Squares.

FOR COMBINATIONS &
PERSONALISATION ON DEMAND

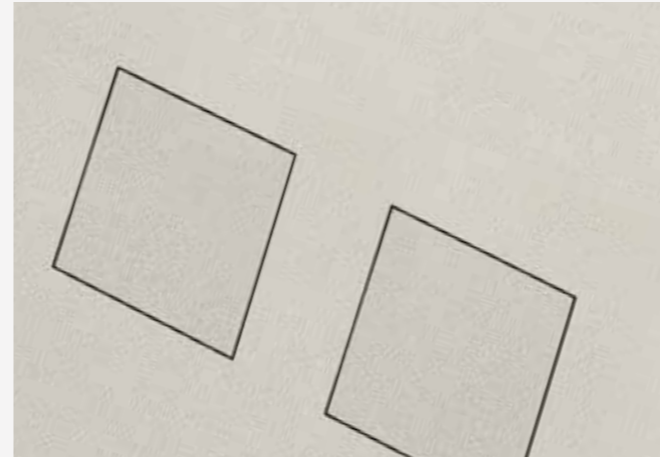
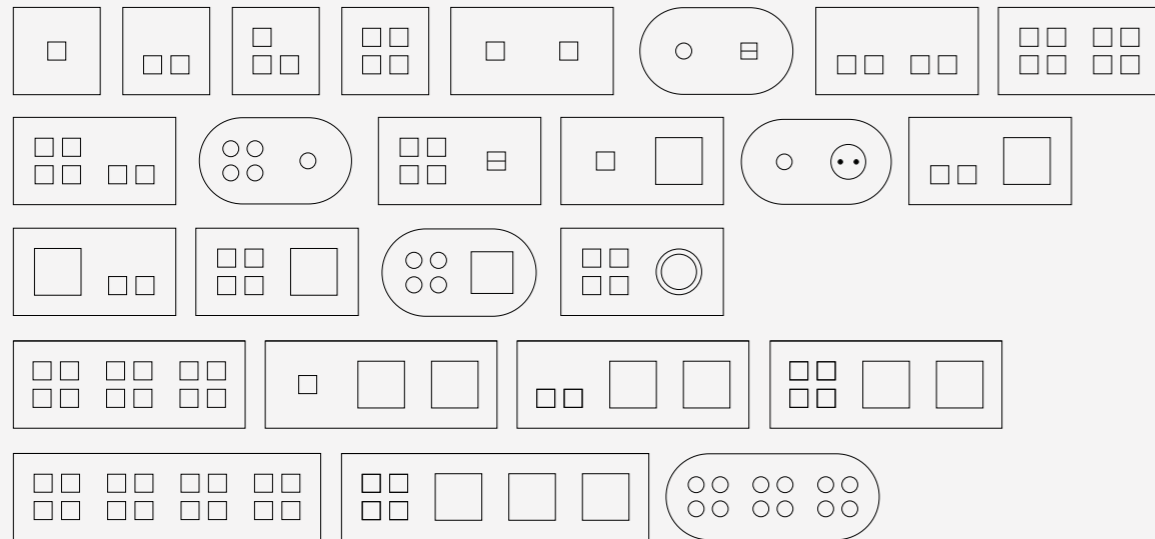
 [Check page 272](#)



Squares

Setups & combinations

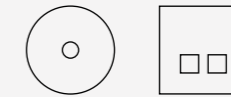
OVERVIEW



STANDARD COLLECTION

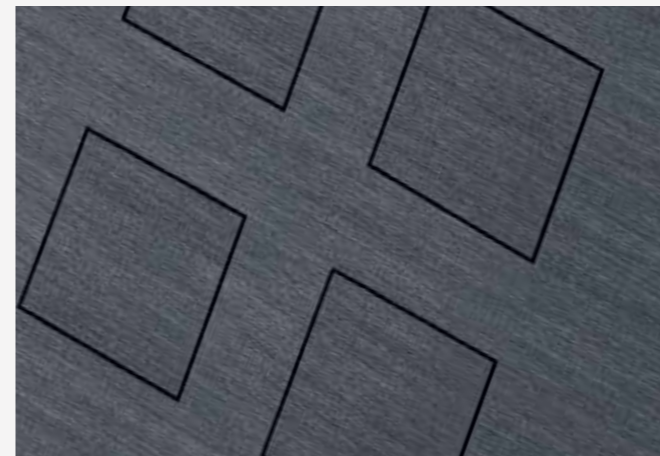
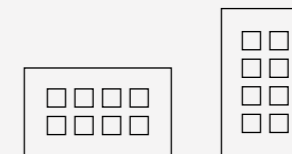
European Standard

Our products are originally designed for the standard European market using wallboxes with a heart to heart distance of 71mm. In a response to popular demand, Lithoss expanded its product range to the Italian and British market by introducing the Opera and Britannica frames.



BRITISH STANDARD

Fits only on a British Standard double and Italian 504E electrical wall box. Our European standard collection is compatible with the single British standard wall boxes. Horizontal & vertical solutions.

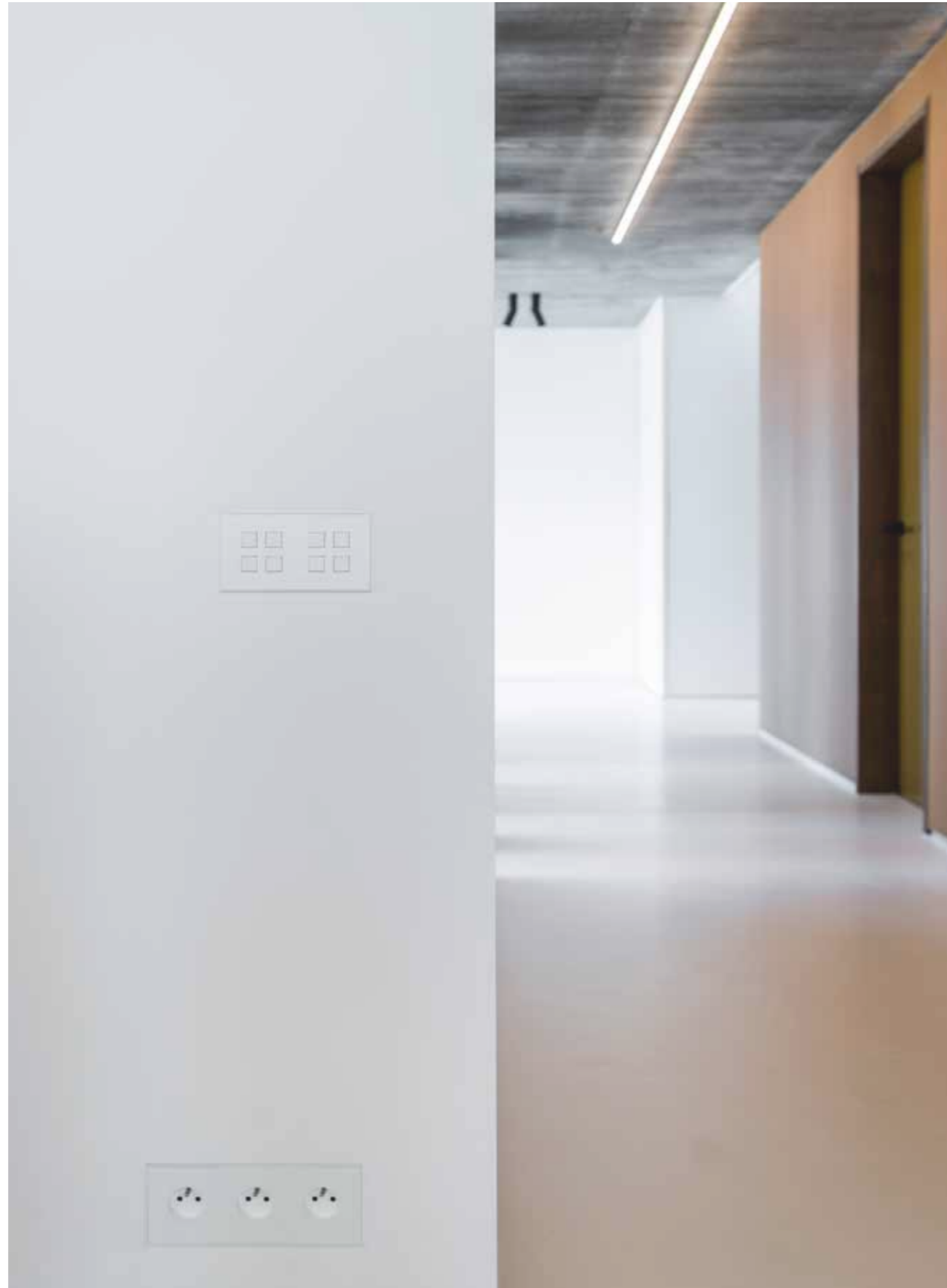


OPERA

Designed for Italian Standard 503E and US single wall boxes. Horizontal & vertical solutions.



Textured White



Matt White



Void Round + Circum 4R



Combination
4T + Qlight

Textured Black



Circum 1R



Combination
Void Round + 2T

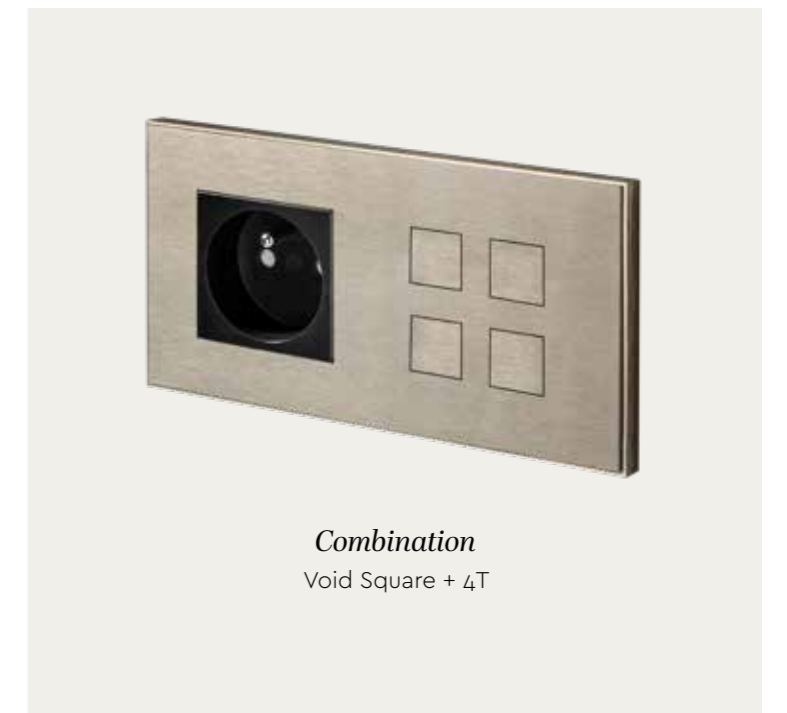


Matt Black

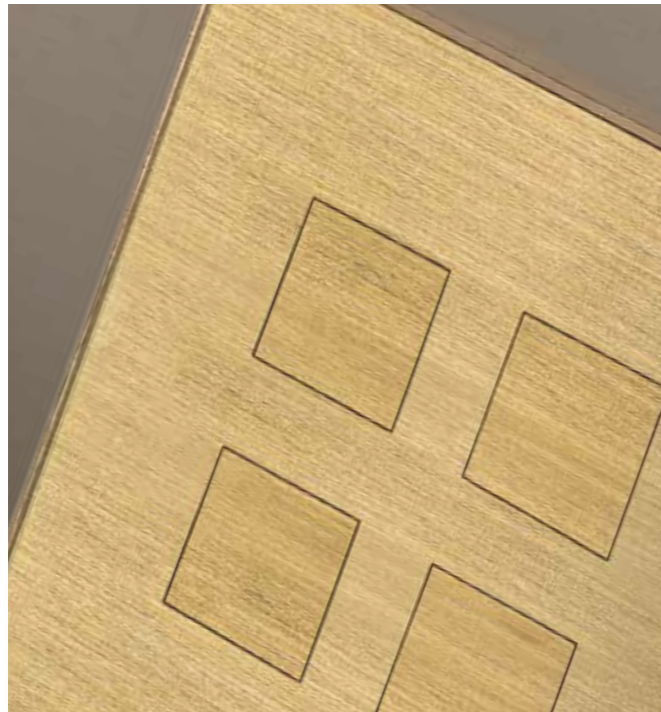




Stainless Steel



Brushed Brass



Copper



Combination
4T + Void USB



Gunpowder Black



Squares

Textures & colours

COLOUR COMBINATIONS



01 Stainless Steel



29 Copper



02 Matt White



13 Textured White



06 Brushed Brass



03 Gunpowder Black



14 Textured Black



45 Anodic Brown



44 Anodic Bronze



18 Matt Black

Get in touch

for combinations & personalisation on demand.

page 272

Squares

Type	Standard Collection	Circum	Opera
24V-250V push button	Sq31xx	CS31xx	OS31xx
24V + led white	Sq71xx	CS71xx	OS71xx
24V + led amber	Sq81xx	CS81xx	OS81xx
KNX (led & temp sensor)	SqK1xx	CSK1xx	OSK1xx
Teleruptor	SqA1xx	CSA1xx	OSA1xx
24V-250V push button	Sq32xx	CS32xx	OS32xx
24V + led white	Sq72xx	CS72xx	OS72xx
24V + led amber	Sq82xx	CS82xx	OS82xx
KNX (led & temp sensor)	SqK2xx	CSK2xx	OSK2xx
24V-250V push button	Sq33xx	CS33xx	OS33xx
24V + led white	Sq73xx	CS73xx	OS73xx
24V + led amber	Sq83xx	CS83xx	OS83xx
KNX (led & temp sensor)	SqK3xx	CSK3xx	OSK3xx
24V-250V push button	Sq34xx	CS34xx	OS34xx
24V + led white	Sq74xx	CS74xx	OS74xx
24V + led amber	Sq84xx	CS84xx	OS84xx
KNX (led & temp sensor)	SqK4xx	CSK4xx	OSK4xx

Type	Standard Collection	Circum	Britannica
24V-250V push button	Sq310Uxx	CS310Uxx	BS310Uxx
24V + led white	Sq710Uxx	CS710Uxx	BS710Uxx
24V + led amber	Sq810Uxx	CS810Uxx	BS810Uxx
KNX (led & temp sensor)	SqK10Uxx	CSK10Uxx	BSK10Uxx
Teleruptor	SqA10Uxx	CSA10Uxx	BSA10Uxx
24V-250V push button	Sq3232xx	CS3232xx	BS3232xx
24V + led white	Sq7272xx	CS7272xx	BS7272xx
24V + led amber	Sq8282xx	CS8282xx	BS8282xx
KNX (led & temp sensor)	SqK2K2xx	CSK2K2xx	BSK2K2xx
24V-250V push button	Sq310Exx	CS310Exx	BS310Exx
24V + led white	Sq710Exx	CS710Exx	BS710Exx
24V + led amber	Sq810Exx	CS810Exx	BS810Exx
KNX (led & temp sensor)	SqK10Exx	CSK10Exx	BSK10Exx
24V-250V push button	Sq3434xx	CS3434xx	BS3434xx
24V + led white	Sq7474xx	CS7474xx	BS7474xx
24V + led amber	Sq8484xx	CS8484xx	BS8484xx
KNX (led & temp sensor)	SqK4K4xx	CSK4K4xx	BSK4K4xx

Setups & combinations



GET IN TOUCH FOR COMBINATIONS AND PERSONALISATION ON DEMAND

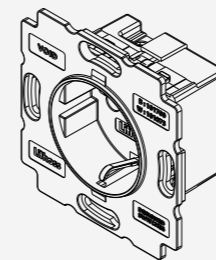
Dimensions & wall boxes: see technical guide:

page 240 & 262

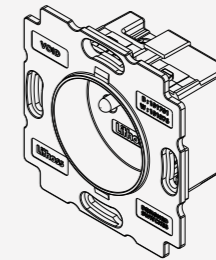
xx Add the colours code at the end for any colours you desire:
Add V behind the article code for vertical installation of plate.

page 100-101

Type	EU (type F)		FR/BE (type E)	
	White	Black	White	Black
24V-250V push button	SqoH32xx	SqoI32xx	SqoJ32xx	SqoL32xx
24V + led white	SqoH72xx	SqoI72xx	SqoJ72xx	SqoL72xx
24V + led amber	SqoH82xx	SqoI82xx	SqoJ82xx	SqoL82xx
KNX (led & temp sensor)	SqoHK2xx	SqoIK2xx	SqoJK2xx	SqoLK2xx
24V-250V push button	CS32oHxx	CS32oIxx	CS32oJxx	CS32oLxx
24V + led white	CS72oHxx	CS72oIxx	CS72oJxx	CS72oLxx
24V + led amber	CS82oHxx	CS82oIxx	CS82oJxx	CS82oLxx
KNX (led & temp sensor)	CSK2oHxx	CSK2oIxx	CSK2oJxx	CSK2oLxx



TYPE F
Conformity to Standards for GERMANY according to DIN VDE 0620-1 Standard.

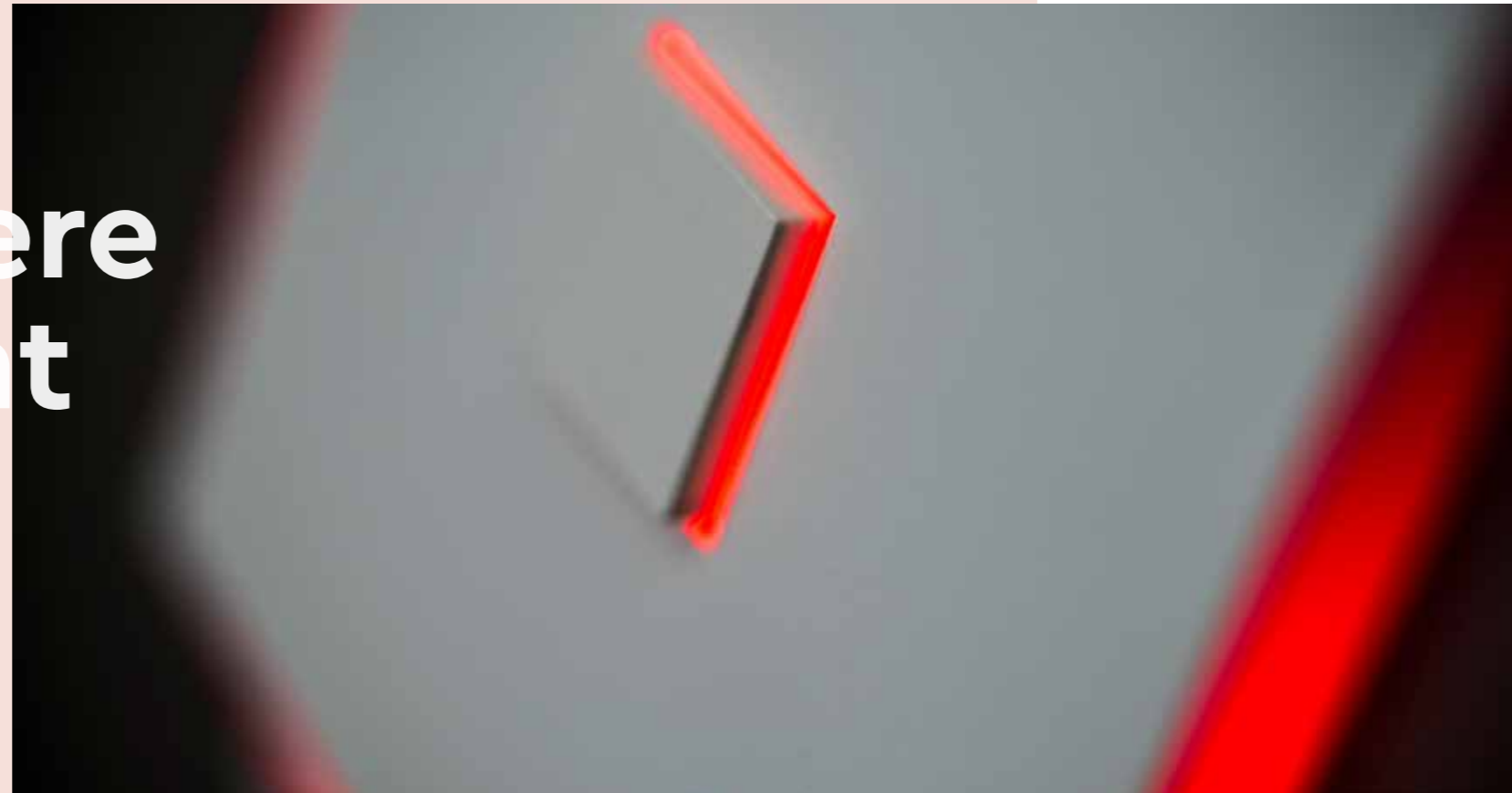


TYPE E
Conformity to Standards for FRANCE according to NF C 61-314 Standard.
for BELGIUM according to NBN C 61-112-1 Standard.

Illume

Design by TAL Laboratories

Let there be light



The ILLUME range combines a switch and lighting in one element. The frame diffuses the light on the four sides of the switch, creating a special atmosphere. The 'glow in the dark' feature determines the theme for each room, whether it is bright white, intense red, warm orange or powerful blue.

A switch and orientation light in one brings your vivid imagination to light!

Technology

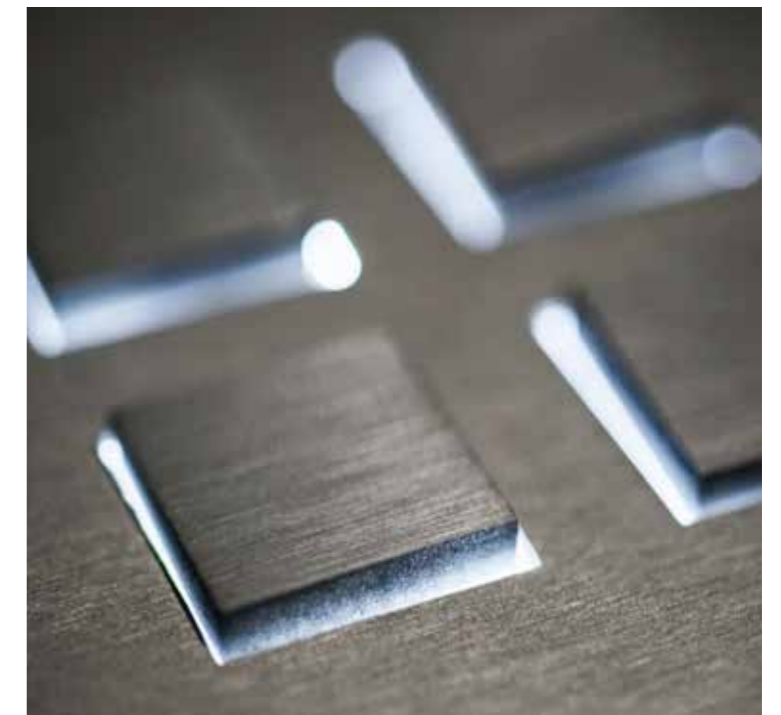


Push
Button
24V +
Orientation led



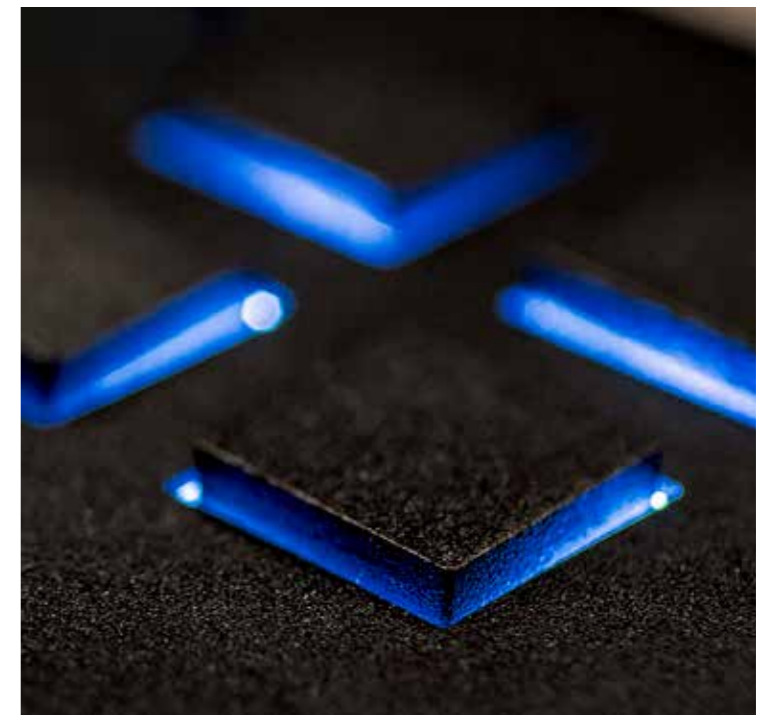


White Led

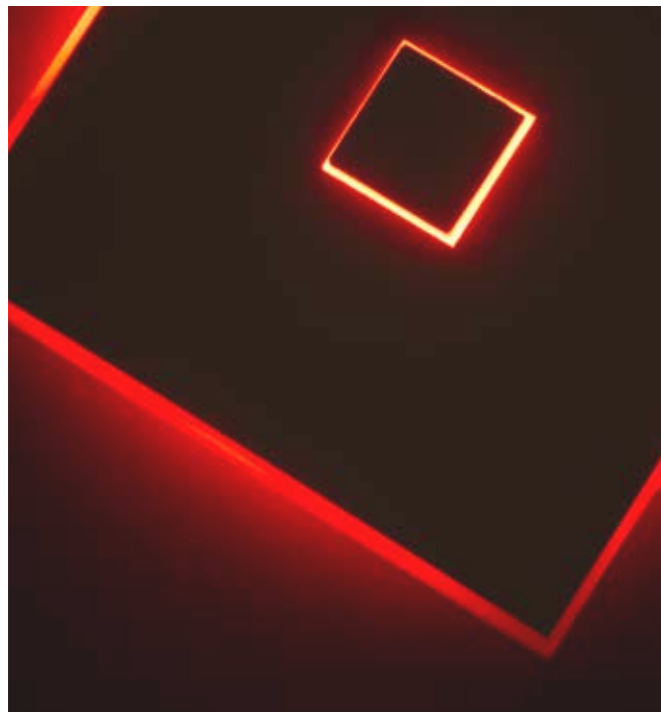




Blue Led



Red Led



Amber Led



Illume

Textures & colours

ILLUME IS AVAILABLE IN ALL LITHOSS FINISHES



Blue



White



Red



Amber

Get in touch

for combinations
& personalisation
on demand.

 page 272

Sockets

122



Void Round

132 Switched Sockets



134 Aesteem



Void Square

136



146

USB/UTP



152 MK



158

Arpi IP64



168

Arpi IP66



Sockets

Design by Lithoss & Bart Spillemaeckers

Designed for functionality



Ever thought of combining a switch with a socket in one panel?

This chapter includes a range of sockets that fit in perfectly with Lithoss's design philosophy.

The last years our Void collection was only known for its square shape.

Since the beginning of 2021 we also provide sockets in a round form which makes them even more graceful.

To be compatible with worldwide standards, the range was further expanded with Britannica and Opera. Opera responds to the needs of the Italian market, while Britannica focuses on the elegant implementation of British sockets. Our Void Square collection lets you choose the module you want

to implement in our 45x45 square opening.

The big advantage is that we are compatible with a various range of manufacturers that produce sockets, thermostats and outlets such as HDMI, UTP, coax, ...

An absolute showstopper is our Void round series. The power outlet combined with the coverplate gives your power outlet that perfect sleek appearance you're looking for. With this specific product range, you will be able to enjoy the beautiful Lithoss finishes even more.

The Void Round comes as a complete unit, while the Void Square is delivered without a module.

Available shapes



Circum

Setups & Combinations

Ideal to combine with Select, Square, Dimmer and Cockpit

VOID SQUARE MODULE IS NOT INCLUDED

FOR COMBINATIONS & PERSONALISATION ON DEMAND

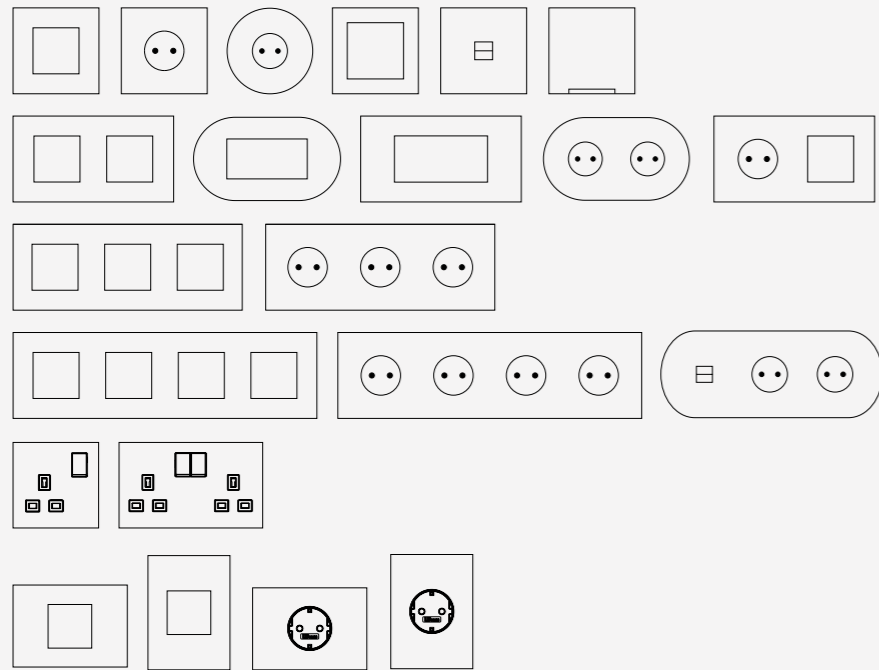
 **Check page 272**



Sockets

Setups & combinations

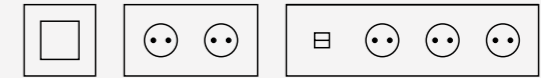
OVERVIEW



STANDARD COLLECTION

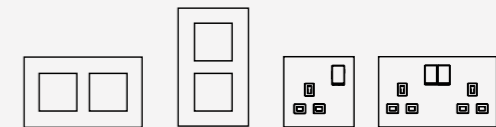
European Standard

Our products are originally designed for the standard European market using wallboxes with a heart to heart distance of 71mm. In a response to popular demand, Lithoss expanded its product range to the Italian and British market by introducing the Opera and Britannica frames.



BRITISH STANDARD

Fits only on a British Standard double and Italian 504E electrical wall box. Our European standard collection is compatible with the single British standard wall boxes. Horizontal & vertical solutions.



OPERA

Designed for Italian Standard 503E and US single wall boxes. Horizontal & vertical solutions.



Void Round



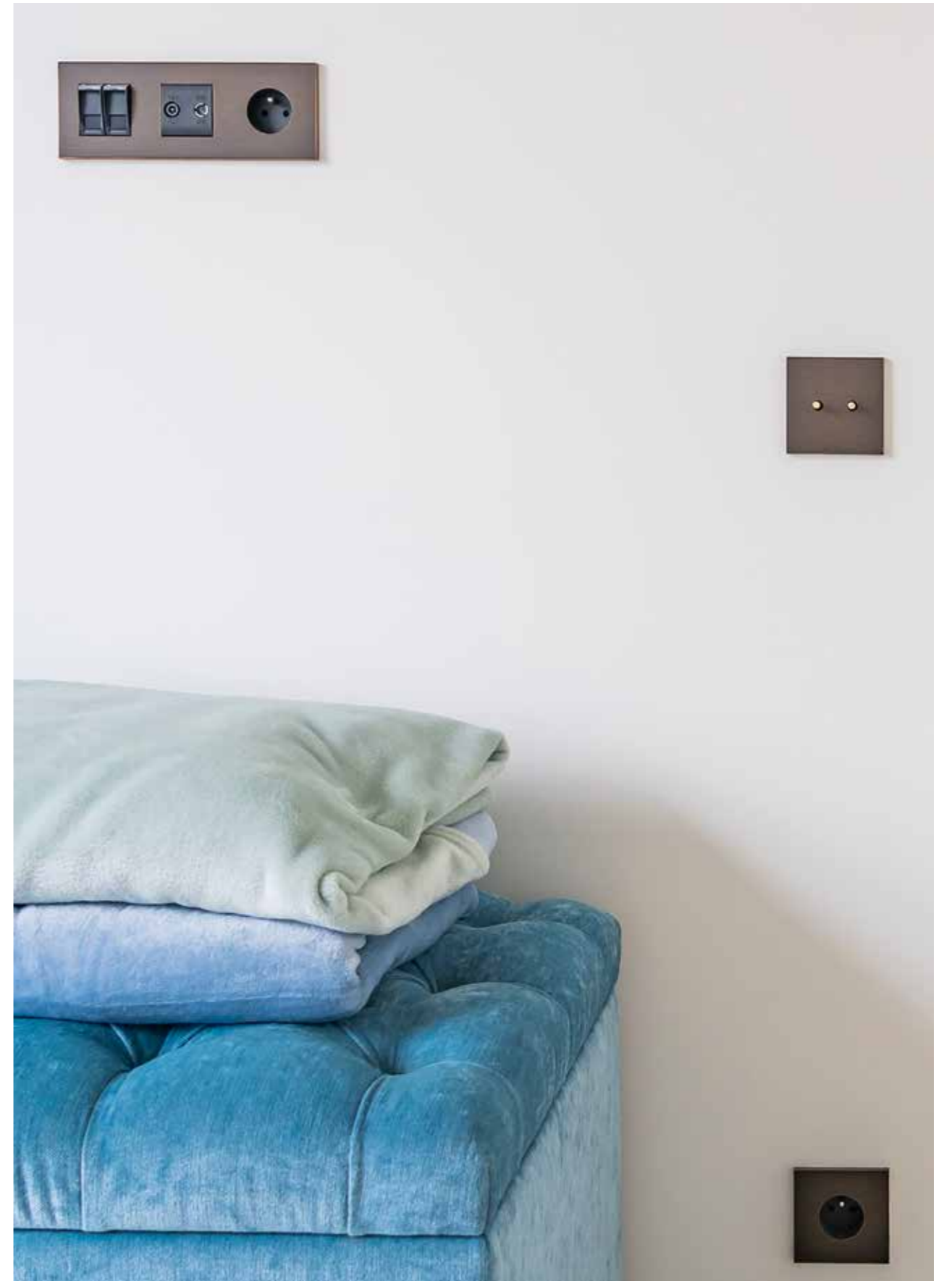
Tin Antique



Brushed Brass



Bronze Antique



Sockets

Void Round



Circum 1V Textured White



Circum 3V Textured White





Void Round



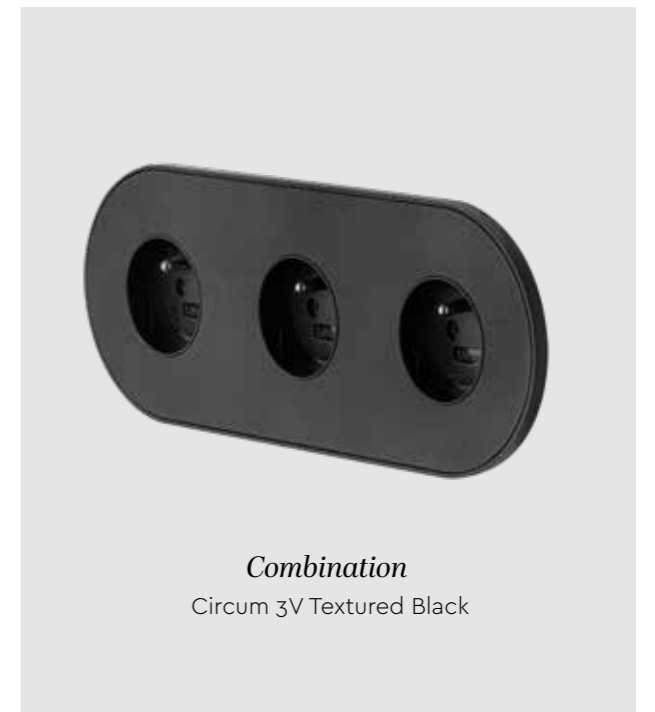
Matt Black



2V Gunpowder Black



Textured Black



Combination
Circum 3V Textured Black



Sockets

Void Round



Stainless Steel



4V Stainless Steel



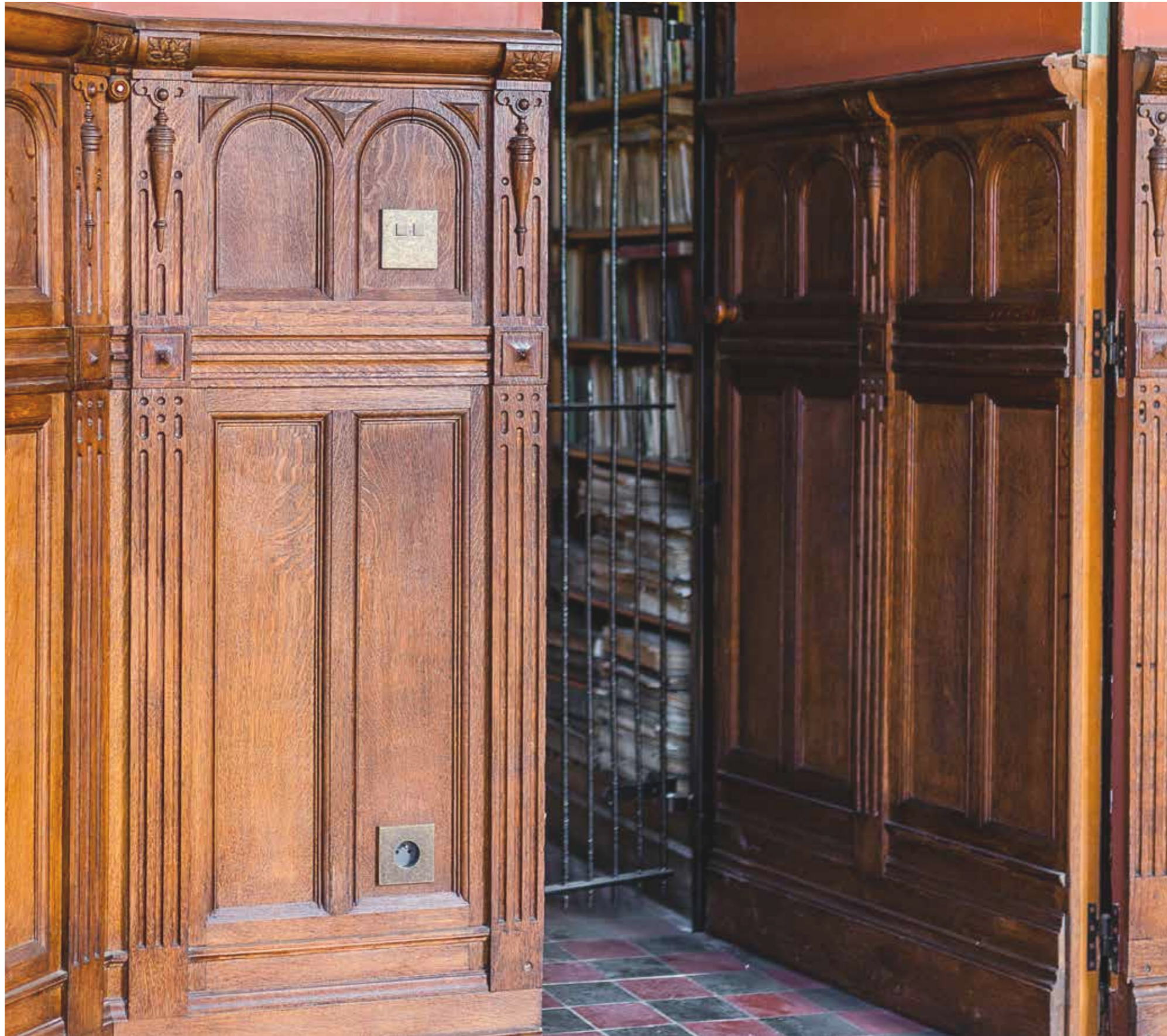
Nickel



3V Nickel



Sockets



Void Round



Combination
Cockpit 2C Nickel Knurl + 2V Tin Antique



Brass Antique



Sockets

Switched Socket



Britannica Double Switched Socket
Textured Black



Britannica Switched Socket
Anodic Bronze



Britannica Double Switched Socket
Textured White



Britannica Switched Socket
Brushed Brass

Non Switched Socket



Britannica Void MMG
Textured Black



Britannica Void MMG
Bronze Antique



Britannica Cockpit 2C Nickel Knurl +
MG Textured White



Britannica Cockpit 2C Brass Knurl +
MG Brushed Brass



Sockets

Aesteem



Textured Black



Anodic Brown

Aesteem



Textured White



Textured White



Module not included



Sockets

Void Square



Matt White



Textured White



Architect: ar-architecten
Photography: Klaas Verdu



Sockets



Void Square



Matt Black



Textured Black



Gunpowder Black



Sockets

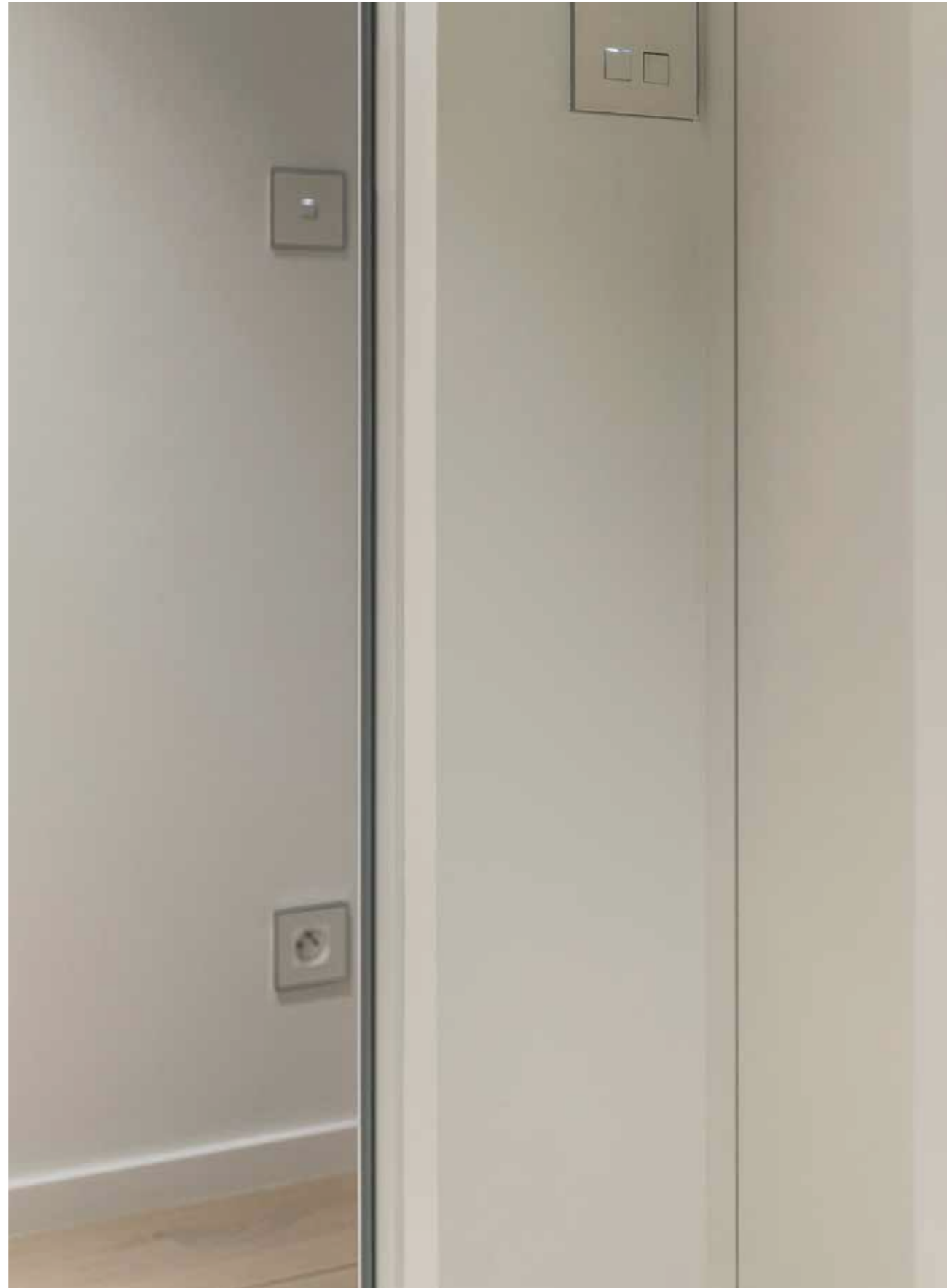
Void Square



Circum MMMG Stainless Steel



Chrome



Void Square



Nickel



MMG Tin Antique



Sockets

Void Square



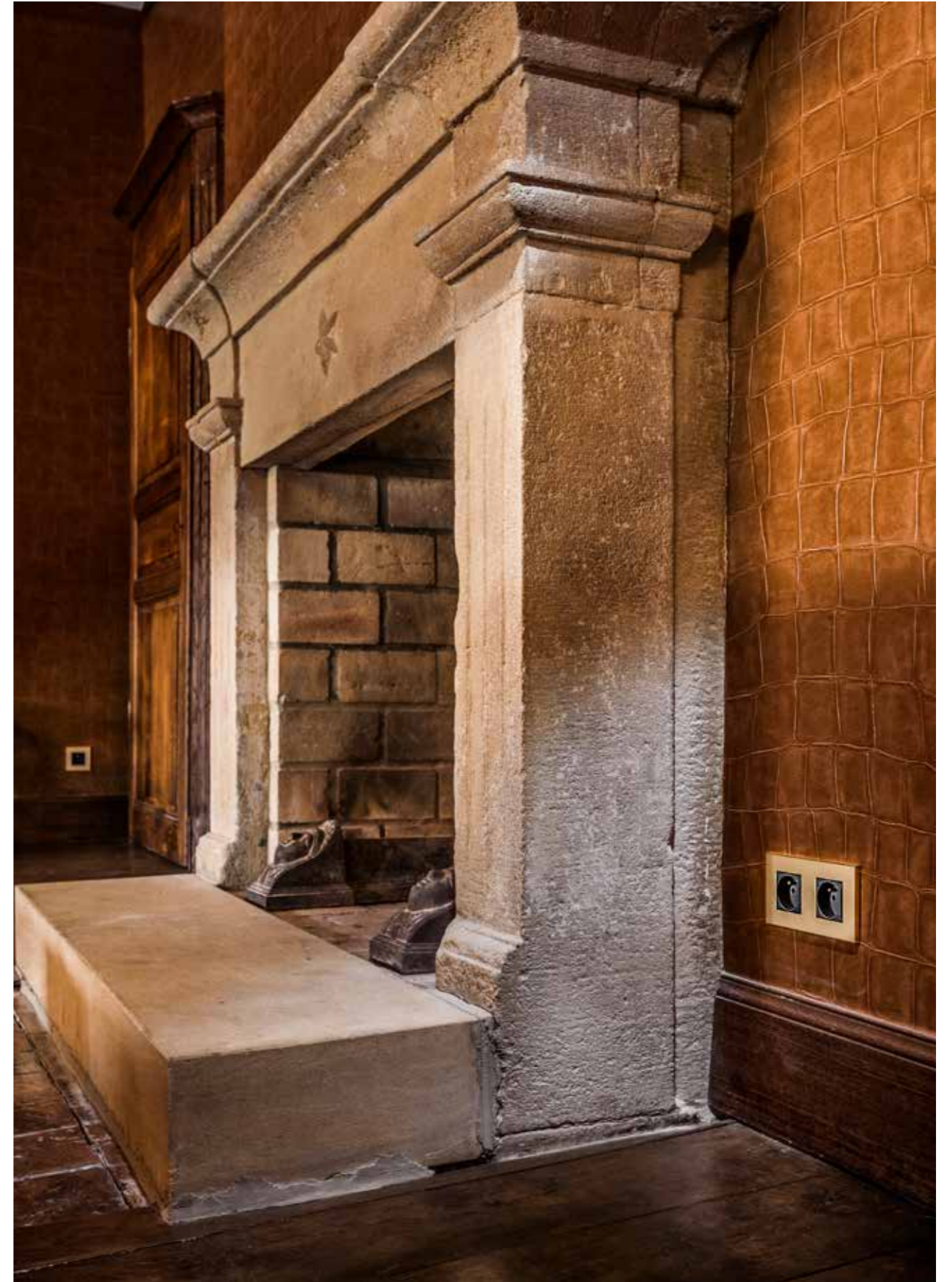
Brass Antique



Brushed Brass



MMG Bronze Antique





Void Square



Copper



Sockets

USB



Matt White



Textured White



USB



Stainless Steel



Brass Antique



Brushed Brass



Nickel



Chrome



Bronze Antique



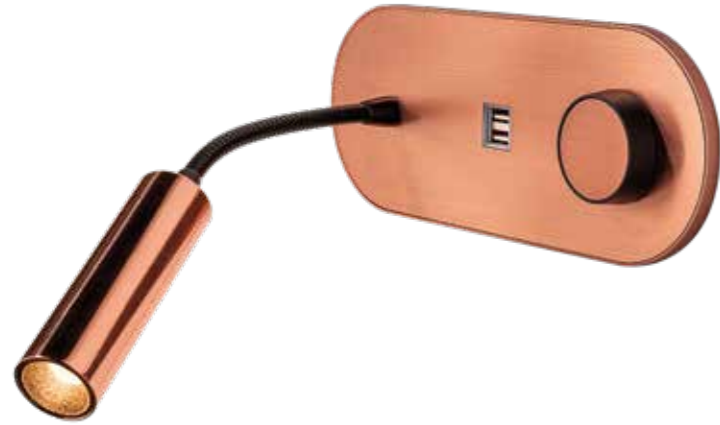
Tin Antique



Sockets

USB

USB



Flex Luminaire + Void USB + Dimmer



USB / UTP



Gunpowder Black



Textured Black



USB A + C Matt Black



Gunpowder Black



Sockets

Vacuum connection

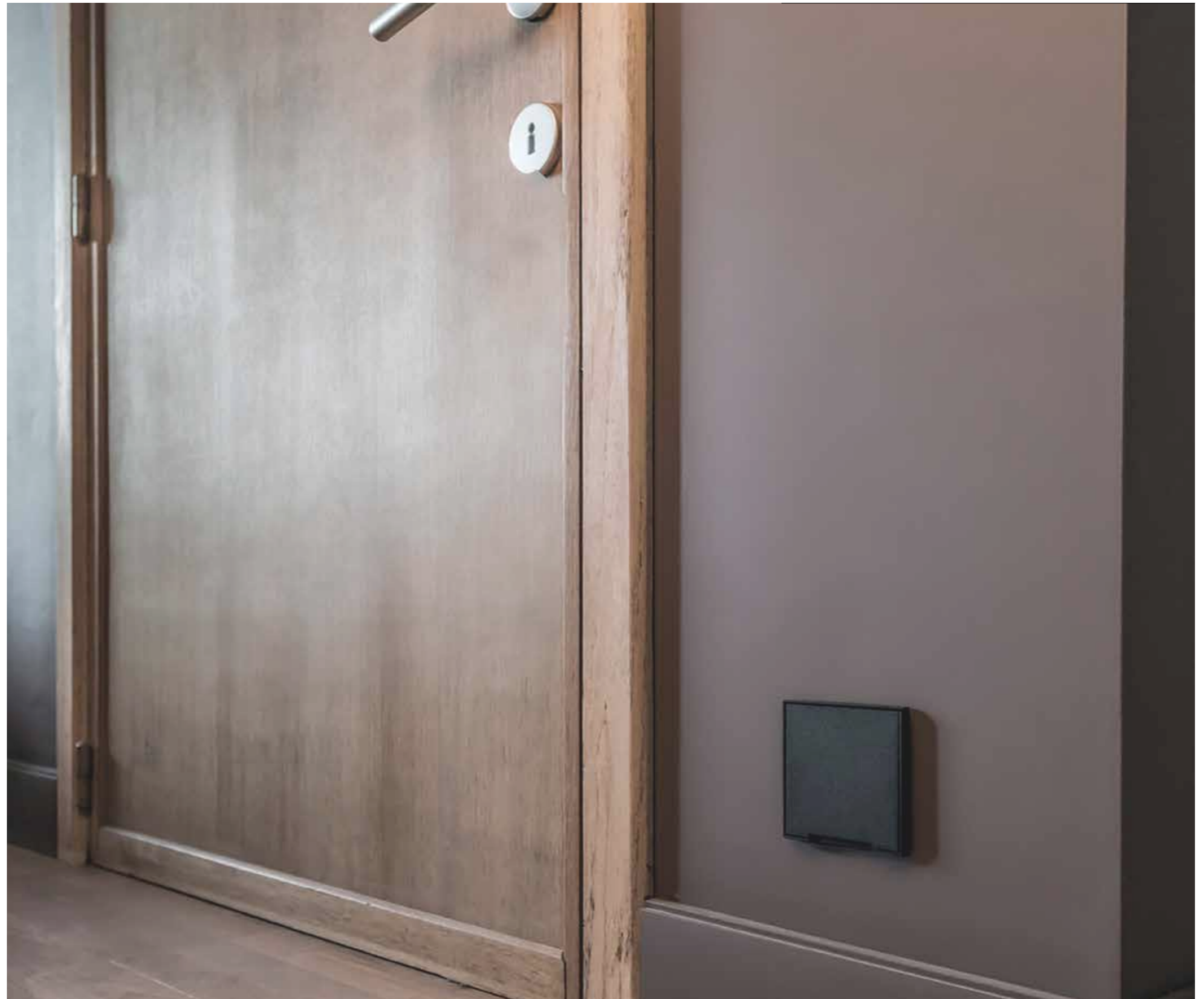


Textured White
compatible with central vacuum systems

MK



Textured Black



Sockets

Sockets

Textures & colours

COLOUR COMBINATIONS

VOID ROUND:
SOCKET INCLUDED

VOID SQUARE:
MODULE NOT INCLUDED



13 Textured White



14 Textured Black



18 Matt Black



02 Matt White



01 Stainless Steel



03 Gunpowder Black (Fusain)



09 Nickel



20 Brass Antique



06 Brushed Brass



08 Chrome



45 Anodic Brown



19 Tin Antique



29 Copper



44 Anodic Bronze Circum



17 Bronze Antique

Get in touch

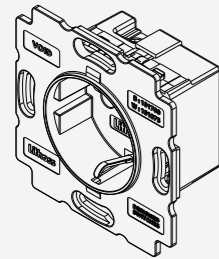
for combinations & personalisation on demand.

page 272

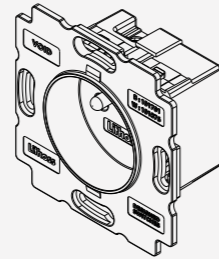
Sockets

Void Round	EU (type F)		FR/BE (type E)	
	White	Black	White	Black
	VooHxx	Voolxx	VooJxx	VooLxx
	VooHoHxx	Voololxx	VooJoJxx	VooLoLxx
	VooHoHoHxx	Voolololxx	VooJoJoJxx	VooLoLoLxx
	VooHoHoHoHxx	Voololololxx	VooJoJoJoJxx	VooLoLoLoLxx

Circum Void Round	EU (type F)		FR/BE (type E)	
	White	Black	White	Black
	CVoHxx	CVolxx	CVoJxx	CVoLxx
	CVoHoHxx	CVololxx	CVoJoJxx	CVoLoLxx
	CVoHoHoHxx	CVolololxx	CVoJoJoJxx	CVoLoLoLxx



TYPE F
Conformity to Standards for GERMANY according to DIN VDE 0620-1 Standard.



TYPE E
Conformity to Standards for FRANCE according to NF C 61-314 Standard. for BELGIUM according to NBN C 61-112-1 Standard.

Setups & combinations



GET IN TOUCH FOR COMBINATIONS AND PERSONALISATION ON DEMAND

Dimensions & wall boxes: see technical guide:

page 240 & 262

xx Add the colours code at the end for any colours you desire:
Add V behind the article code for vertical installation of plate.

page 154-155

Void Square

	VooExx
	VooEoExx
	VooEoEoExx
	VooEoEoEoExx

Standard collection

USB		VooUxx
USB A+C		VooU1xx
UTP		VooU8xx
		VooU9xx
MK		VoMExx

Opera

	OVoUxx
	OVoU1xx
	OVoU8xx
	OVoU9xx



Arpi IP64

Design by AMPI

Established value



Our Arpi IP64 sockets supply underfloor currents in your home in complete discretion due to a sleek design and make your open spaces more functional. The different connectors (power sockets, data (RJ45), Radio-TV, Speakers and USB) and accessories respond to the needs of private homes, shops, businesses and the tertiary sector.

For more than 30 years, ARPI has proven to be robust and watertight, supplying underfloor power and data.

They are practical & functional by supplying electrical power or data in open spaces in the middle of the space, under the dining room table or next to the sofa.

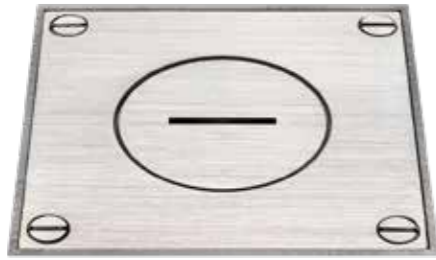
The design comes in 4 different finishes, brushed or polished, to help shape interiors to supply a current discretely and elegantly underground.

Our ARPI sockets cope with the most demanding of uses and are enduringly resistant to heavy traffic for example in shopping centres and exhibition halls. For public spaces, a safety cap is also available opened by using an Allen key.

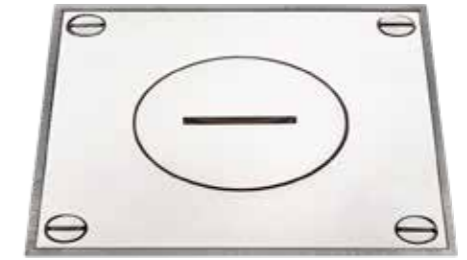
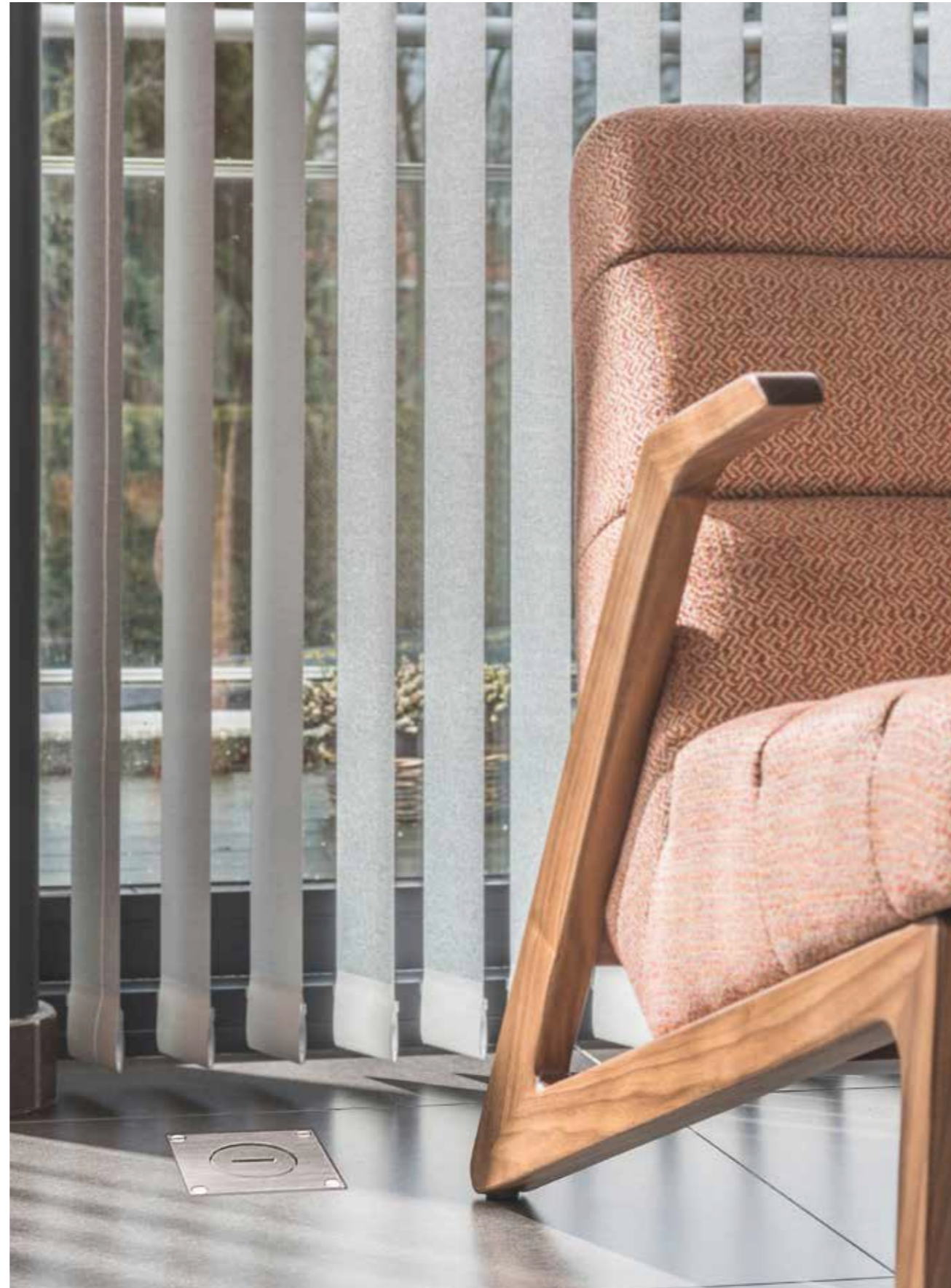


Arpi IP64

Stainless Steel



Brushed Stainless Steel



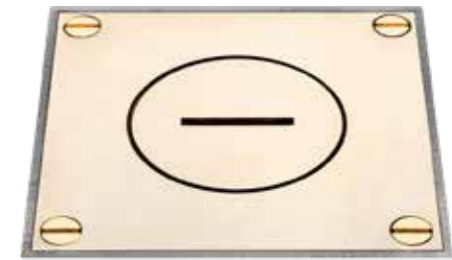
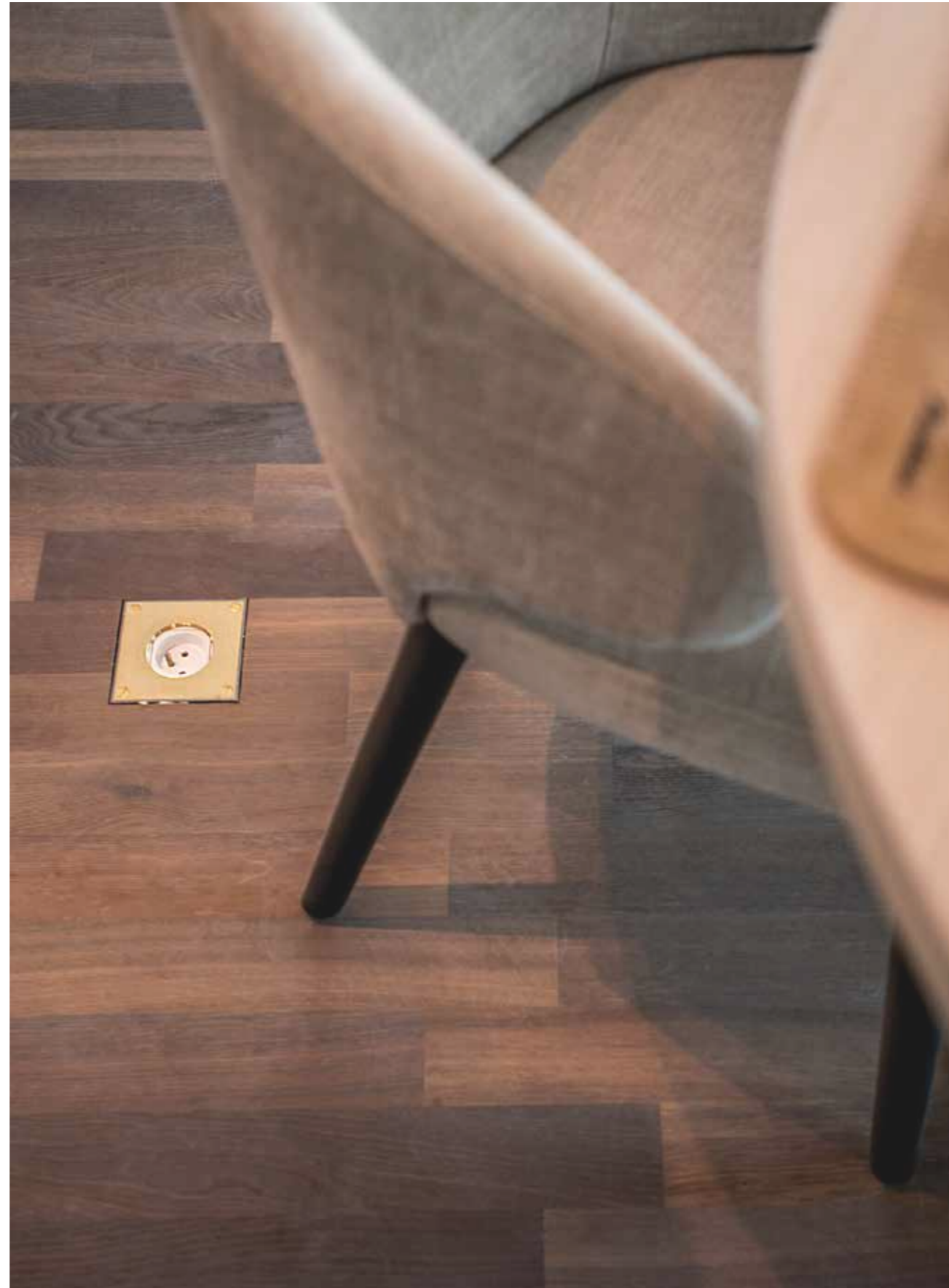
Polished Stainless Steel



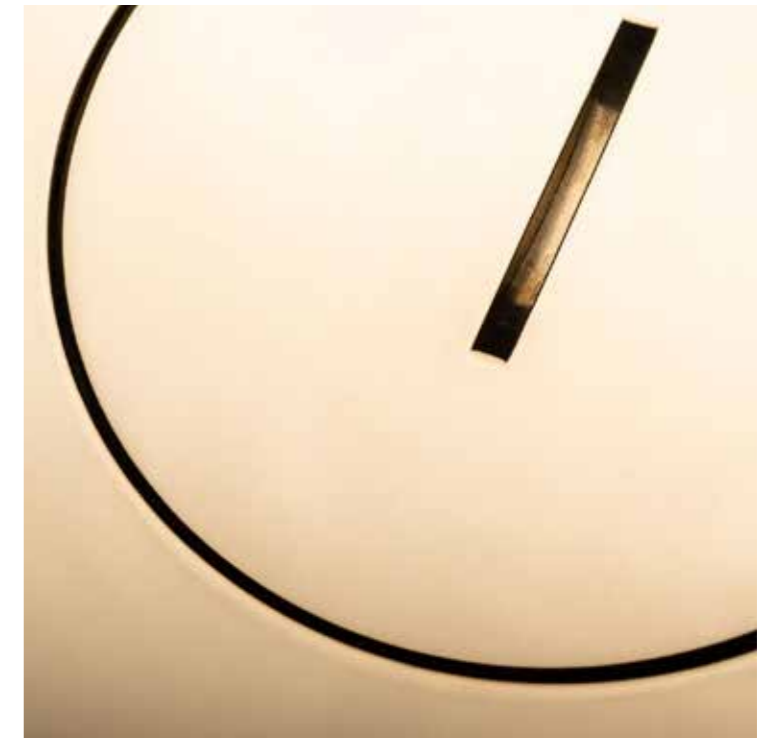
Brass



Brushed Brass



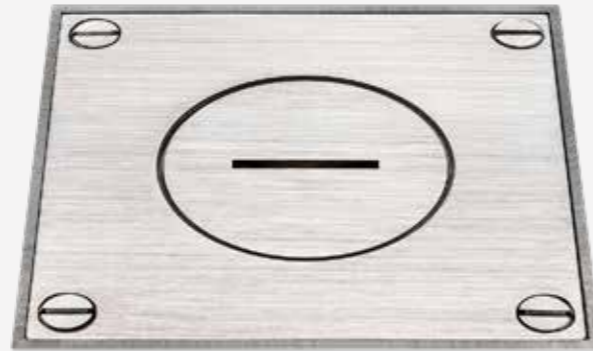
Polished Brass



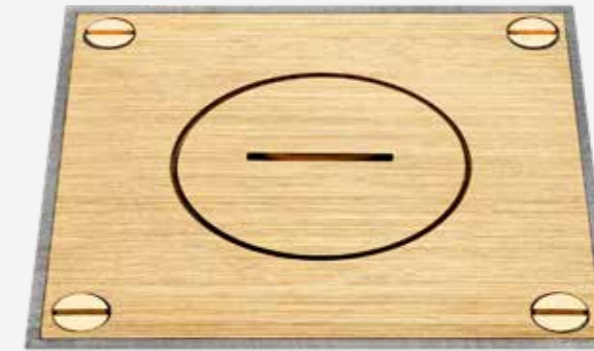
Arpi IP64

Textures & colours

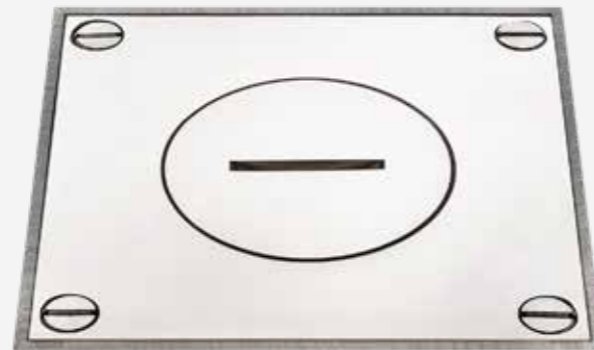
AVAILABLE COLOURS



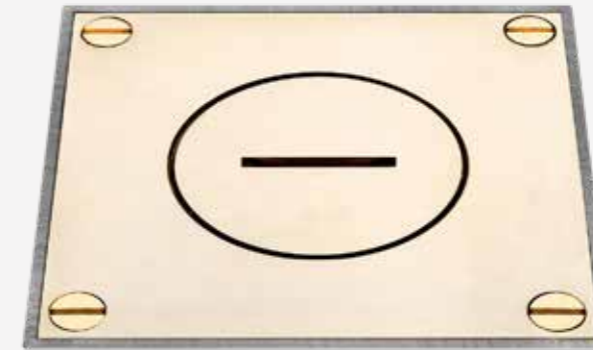
01 Brushed Stainless Steel



06 Brushed Brass



22 Polished Stainless Steel

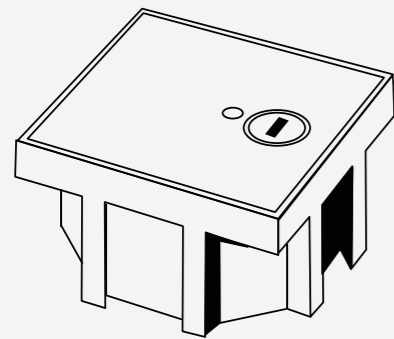


23 Polished Brass



Arpi IP64

complete devices installation set included	Brushed Stainless Steel	Brushed Brass	Polished Stainless Steel	Polished Brass
Floor outlet – FR/BE	AR6161301	AR6161306	AR6361322	AR6361323
Floor outlet – EU	AR6161401	AR6161406	AR6361422	AR6361423
2x RJ45 UTP cat 6	AR6162601	AR6162606	AR6362622	AR6362623
1x loudspeaker	AR6161901	AR6161906	AR6361922	AR6361923
2x loudspeaker	AR6162901	AR6162906	AR6362922	AR6362923
Radio – TV	AR6165901	AR6165906	AR6365922	AR6365923
2x USB 1500mA	AR6164201	AR6164206	AR6364222	AR6364223
Empty floor outlet – device not included	AR6150001	AR6150006	AR6350022	AR6350023
Installation set IP64	AR61000			



Installation set IP64 AR61000

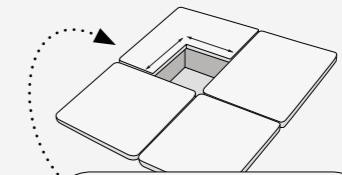
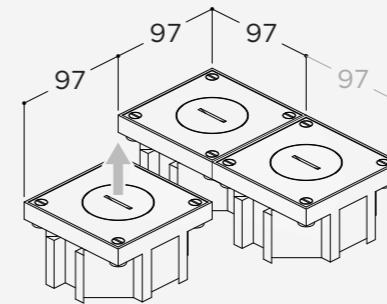
ADD ARPI TO YOUR CONFIGURATION



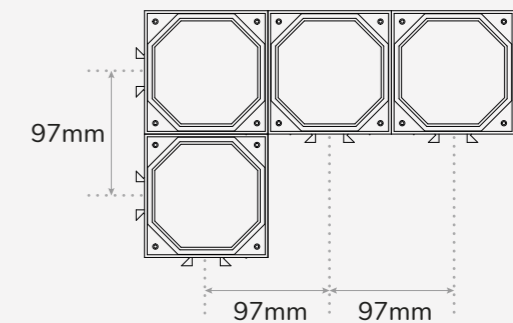
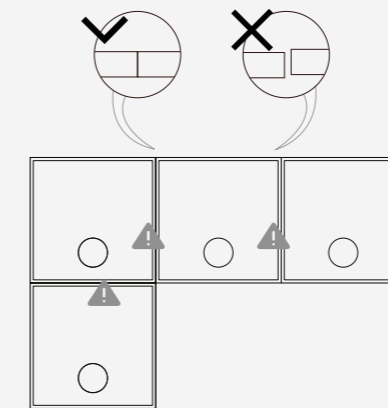
General description

The ARPI outlet IP64 which exists for more than 30 years does no longer need to prove its robustness (IK10 Certificated) and its watertightness (IP64 Certificated) for your installation in concrete screed. Stainless steel or brass available.

Installation distances (multiple combinations)



1x	100x100
2x	200x100
3x	300x100
4x	200x200
...xX.....



Arpi IP64

Arpi IP66

Design by Ampì

Sealed for in- and outdoor use



Since 1983, AMPI sprl has been well established in the market as a manufacturer of professional waffle makers and floor outlets. Founded in Liège, but based in Hannut since 2013, AMPI sprl is a well-known and leading company in its niche market, with a strong presence at electrical wholesalers. Thanks to continuous product development under the leadership of Mrs Stassen (the founder's daughter) and her husband. The line of floor outlets has earned and strengthened

its place on the market, as evidenced by the new IP66 line (floor outlets with even better sealing, allowing them to be installed even outdoors). This led to higher market demand, and even opened doors to new contacts in the sector, both domestic and abroad.

Lithoss nv specializes in design switches and related products, and is represented in 30 countries around the world. Lithoss has found the ideal product with ARPI to expand the

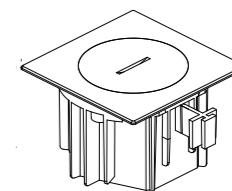
line in order to accommodate the rising market demand for floor outlets.

The fact that both product lines complement each other perfectly in terms of design and finish, and that Lithoss already has the network in place that ARPI was looking for, has led to a complete integration of ARPI into the Lithoss product portfolio in 2018.

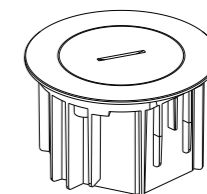
Available in

NEW

Arpi UK



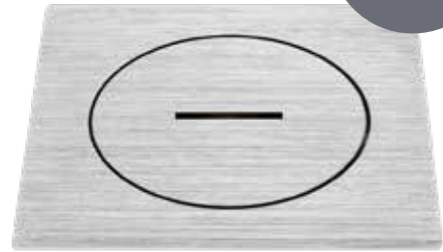
Arpi Round



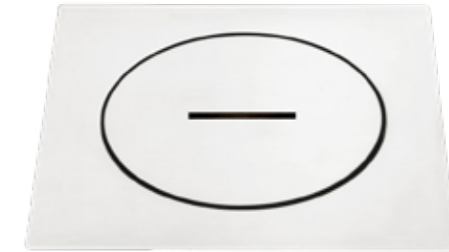
Arpi IP66

Stainless Steel

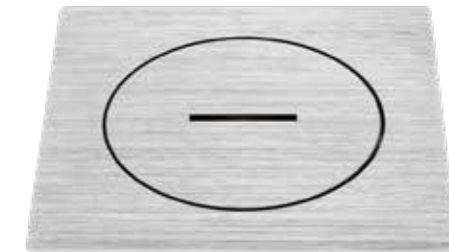
For in- and outdoor use



Brushed Stainless Steel



Polished Stainless Steel



Brushed Stainless Steel Beach

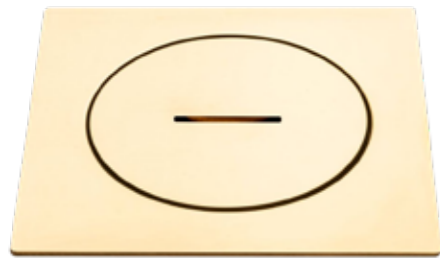


Arpi IP66

Brass



Arpi Round Brushed Brass



Polished Brass



Black



Arpi Round Gunpowder Black



Bronze



Arpi Round Bronze



Arpi IP66

Aqua Seal



Brushed Stainless Steel



Brushed Brass

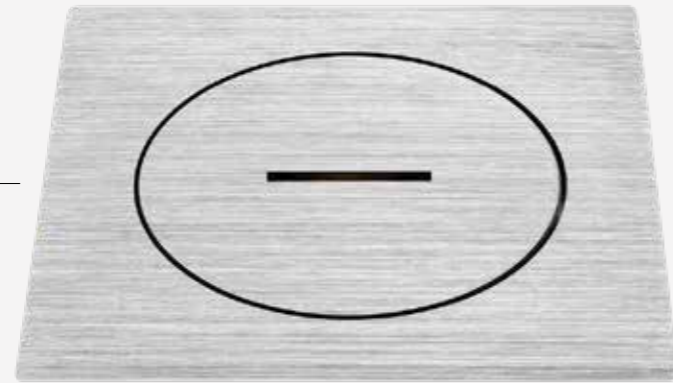


Arpi IP66

Arpi IP66

Textures & colours

AVAILABLE FINISHES



01 Brushed Stainless Steel



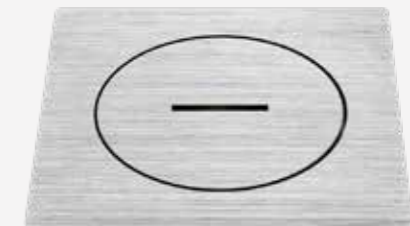
18 Black



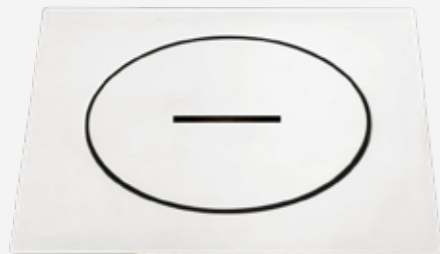
03 Arpi Round Gunpowder Black



06 Brushed Brass



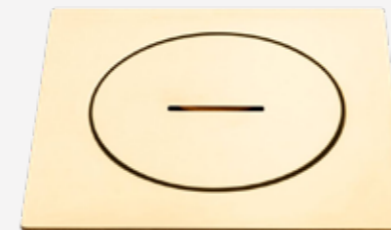
11 Brushed Stainless Steel Beach



22 Polished Stainless Steel



06 Arpi Round Brushed Brass



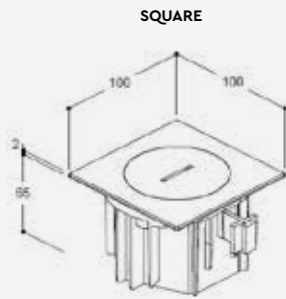
23 Polished Brass



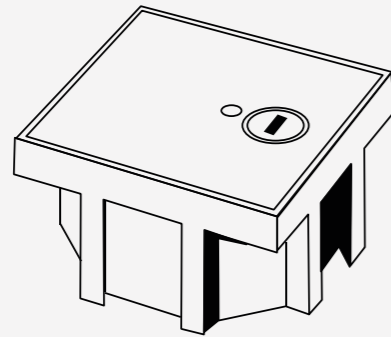
17 Bronze



Arpi IP66



complete devices installation set included	Brushed Stainless Steel	Brushed Brass	Polished Stainless Steel	Polished Brass	Brushed Stainless Steel Beach	Brushed Bronze Stainless Steel	Brushed Gunpowder Black Stainless Steel	Brushed Black Stainless Steel
Floor outlet - FR/BE	AR7161301	AR7161306	AR7361322	AR7361323	AR7161311	AR7161317	AR7161303	AR7161318
Floor outlet - EU	AR7161401	AR7161406	AR7361422	AR7361423	AR7161411	AR7161417	AR7161403	AR7161418
2x RJ45 UTP cat 6	AR7162601	AR7162606	AR7362622	AR7362623	AR7162611	AR7162617	AR7162603	AR7162618
1x loudspeaker	AR7161901	AR7161906	AR7361922	AR7361923	AR7161911	AR7161917	AR7161903	AR7161918
2x loudspeaker	AR7162901	AR7162906	AR7362922	AR7362923	AR7162911	AR7162917	AR7162903	AR7162918
Radio - TV	AR7165901	AR7165906	AR7365922	AR7365923	AR7165911	AR7165917	AR7165903	AR7165918
2x USB 1500mA	AR7164201	AR7164206	AR7364222	AR7364223	AR7164211	AR7164217	AR7164203	AR7164218
Empty floor outlet - device not included. Compatible with Legrand Mosaic	AR7150001	AR7150006	AR7350022	AR7350023	AR7150011	AR7150017	AR7150003	AR7150018
Installation Set IP66	AR71000							



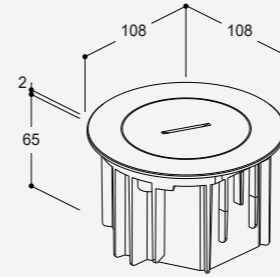
Installation set IP66 AR71000



ADD ARPI TO YOUR CONFIGURATION

NEW

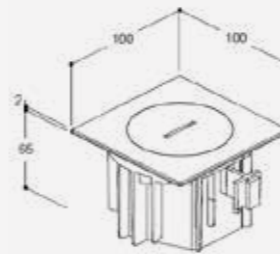
ROUND



complete devices installation set included	Stainless Steel Brushed	Brushed Brass	Stainless Steel Polished	Polished Brass	Stainless Steel Brushed Beach	Bronze Stainless Steel Brushed	Gunpowder Black Stainless Steel Brushed	Black Stainless Steel Brushed
Floor outlet - FR/BE	AR7261301	AR7261306	AR7261322	AR7261323	AR7261311	AR7261317	AR7261303	AR7261318
Floor outlet - EU	AR7261401	AR7261406	AR7261422	AR7261423	AR7261411	AR7261417	AR7261403	AR7261418
Floor outlet - UK	AR7263001	AR7263006	AR7263022	AR7263023	AR7263011	AR7263017	AR7263003	AR7263018
2x RJ45 UTP cat 6	AR7262601	AR7262606	AR7262622	AR7262623	AR7262611	AR7262617	AR7262603	AR7262618
1x loudspeaker	AR7261901	AR7261906	AR7261922	AR7261923	AR7261911	AR7261917	AR7261903	AR7261918
2x loudspeaker	AR7262901	AR7262906	AR7262922	AR7262923	AR7262911	AR7262917	AR7262903	AR7262918
Radio - TV	AR7265901	AR7265906	AR7265922	AR7265923	AR7265911	AR7265917	AR7265903	AR7265918
2x USB 1500mA	AR7264201	AR7264206	AR7264222	AR7264223	AR7264211	AR7264217	AR7264203	AR7264218
Empty floor outlet - device not included. Compatible with Legrand Mosaic.	AR7250001	AR7250006	AR7250022	AR7250023	AR7250011	AR7250017	AR7250003	AR7250018

NEW

UK



complete devices installation set included	Stainless Steel Brushed	Brushed Brass	Stainless Steel Polished	Polished Brass	Stainless Steel Brushed Beach	Bronze Stainless Steel Brushed	Gunpowder Black Stainless Steel Brushed	Black Stainless Steel Brushed
Floor outlet - UK	AR7863001	AR7863006	AR7863022	AR7863023	AR7863011	AR7863017	AR7863003	AR7863018
2x RJ45 UTP cat 6	AR7862601	AR7862606	AR7862622	AR7862623	AR7862611	AR7862617	AR7862603	AR7862618
1x loudspeaker	AR7861901	AR7861906	AR7861922	AR7861923	AR7861911	AR7861917	AR7861903	AR7861918
2x loudspeaker	AR7862901	AR7862906	AR7862922	AR7862923	AR7862911	AR7862917	AR7862903	AR7862918
Radio - TV	AR7865901	AR7865906	AR7865922	AR7865923	AR7865911	AR7865917	AR7865903	AR7865918
2x USB 1500mA	AR7864201	AR7864206	AR7864222	AR7864223	AR7864211	AR7864217	AR7864203	AR7864218
Empty floor outlet - device not included. Compatible with Legrand Mosaic.	AR7850001	AR7850006	AR7850022	AR7850023	AR7850011	AR7850017	AR7850003	AR7850018



Arpi IP66

Dimmers



Dimmers

Design by Lithoss

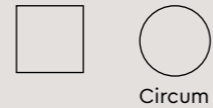
For our DIMMER collection with its contemporary vintage look we let ourselves be inspired by the handles and cone-shaped buttons in a cockpit. Thanks to dimming modules and home automation systems, dimming has become a normal thing now. But nothing can beat the feeling of turning a real button and creating atmosphere and cosiness. Lithoss allows you to do this in style.

The button's design – the traditional cone shape or the diamond-pattern knurl shape – is a piece of real craftsmanship: manufactured in a masterly way, with an excellent grip and an authentic touch. In combination with the cockpit switch you can integrate a contemporary vintage look in your interior in a stylish manner.

Adjust the atmosphere

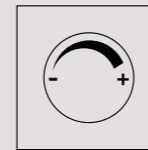


Available shapes



Circum

Technology



Mains dimmer

Dimmer 1-10V

KNX sensor

Setups & Combinations



Ever thought about combining? Dimmer work great with Select, Luminaires and Cockpit.

FOR COMBINATIONS & PERSONALISATION ON DEMAND

Check page 272



Dimmers



Matt White



Textured Black



Architect: ar-architecten
Photography: Klaas Verdu

Dimmers



Textured Black + Brass Knurl



Brushed Brass



Dimmers



Dimmers

Textures & colours

COLOUR COMBINATIONS



14 Textured Black



41 Gunpowder Black (Fusain)



46 Textured Black + Brass Knurl



44 Anodic Bronze



02 Matt White



35 Matt White + Textured Black Cone



32 Textured Black + Nickel Knurl



45 Anodic Brown



01 Stainless Steel



37 Brushed Brass + Knurl



43 Nickel + Knurl



20 Brass Antique



38 Stainless Steel + Knurl



06 Brushed Brass



19 Tin Antique



39 Bronze Antique + Knurl



09 Nickel + Textured Black

Get in touch

for combinations & personalisation on demand.

page 272



Luminaires

198

Nightguide



200

Gatekeeper



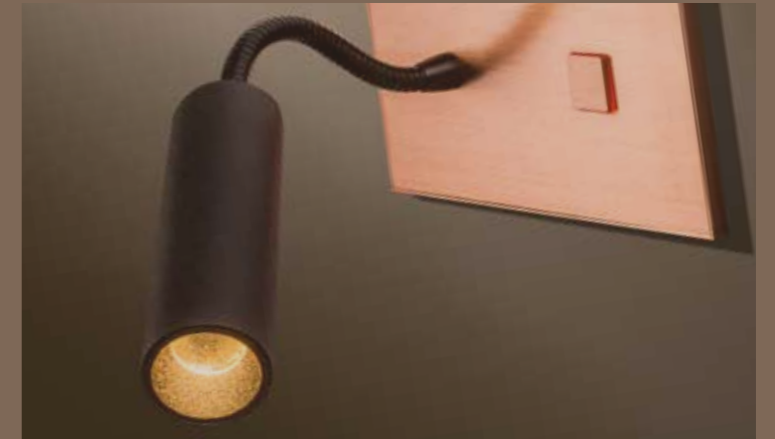
202

Q Light



204

Flex



205

Nobel



208

Microscoop



Luminaires

Design by Lithoss &
TAL laboratories

Enlightened spirits



The LUMINAIRES collection provides the finishing touch to any turnkey project, both in residential and hospitality. The Lithoss design is perfect for functional as well as creative solutions.

The Lithoss push button & reading light combination – the collection's bestseller – is a nice example of the perfect synergy between the sister companies Lithoss and TAL. This luminaire can be easily combined on a 2-fold, 3-fold or even 4-fold front plate. The Gatekeeper and Nightguide are design solutions for orientation lighting in stairwells, hotel rooms etc.



Setups & Combinations

Luminaires works great with Cockpit, Select, Squares and Dimmer.

FOR COMBINATIONS &
PERSONALISATION ON DEMAND

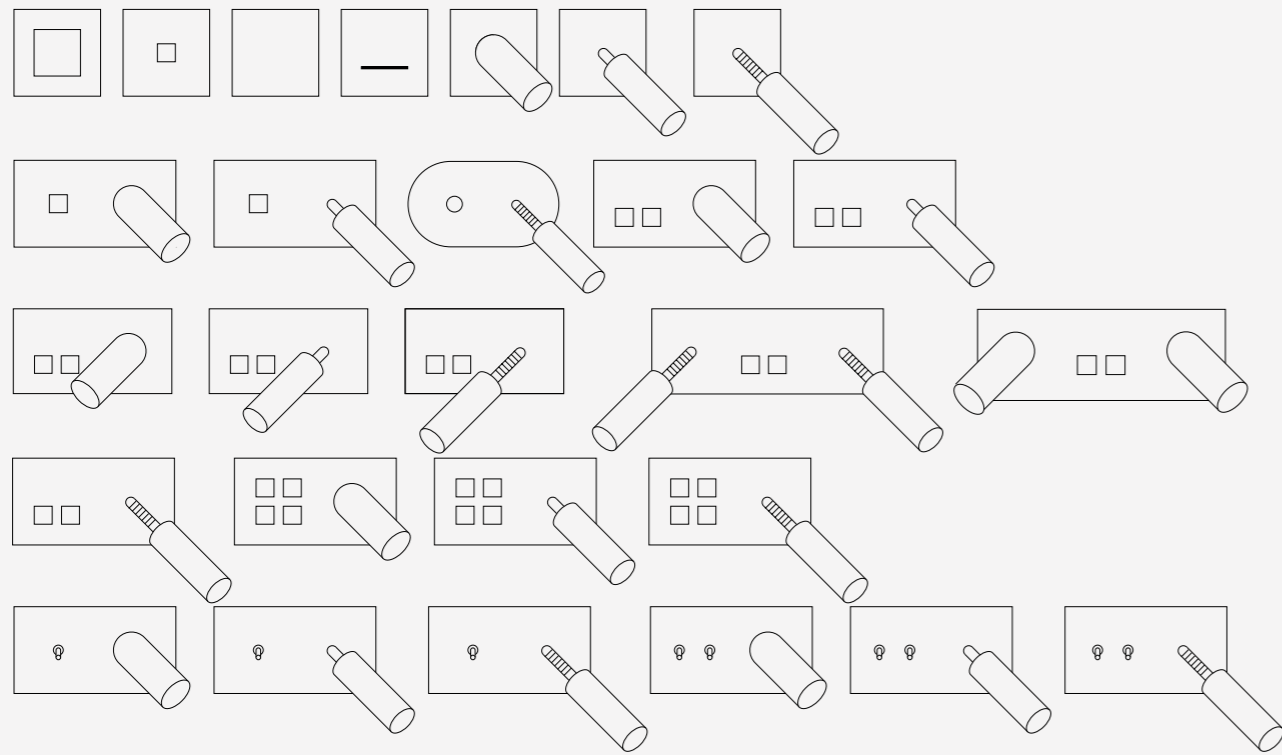
 Check page 272



Luminaires

Setups & combinations

OVERVIEW



Dimensions & wall boxes: see technical guide

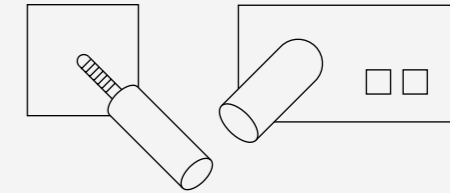
page 240 & 262



STANDARD COLLECTION

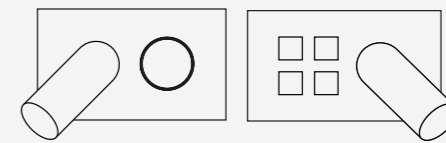
European Standard

Our products are originally designed for the standard European market using wallboxes with a heart to heart distance of 71mm. In a response to popular demand, Lithoss expanded its product range to the Italian and British market by introducing the Opera and Britannica frames.



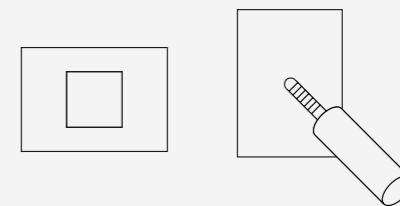
BRITISH STANDARD

Fits only on a British Standard double and Italian 504E electrical wall box. Our European standard collection is compatible with the single British standard wall boxes. Horizontal & vertical solutions.



OPERA

Designed for Italian Standard 503E and US single wall boxes. Horizontal & vertical solutions.



Nightguide

Textures & colours

AVAILABLE IN ALL FINISHES



17 Bronze Antique



01 Stainless Steel



03 Gunpowder Black (Fusain)



29 Copper



19 Tin Antique

Get in touch

for combinations & personalisation on demand.

page 272



Gatekeeper

Textures & colours

AVAILABLE IN ALL FINISHES



14 Textured Black



20 Brass Antique



08 Chrome



02 Matt White



18 Matt Black

Get in touch

for combinations & personalisation on demand.

 page 272



Q Light

Textures & colours

AVAILABLE IN ALL FINISHES



14 Textured Black



01 Stainless Steel



02 Matt White



13 Textured White



09 Nickel

Get in touch

for combinations & personalisation on demand.

 page 272



Q Light

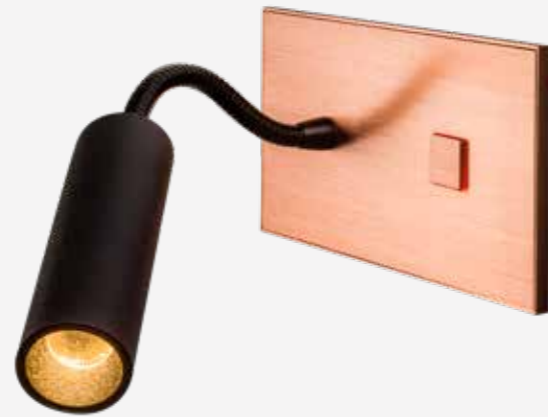
Flex

Textures & colours

COLOUR COMBINATIONS

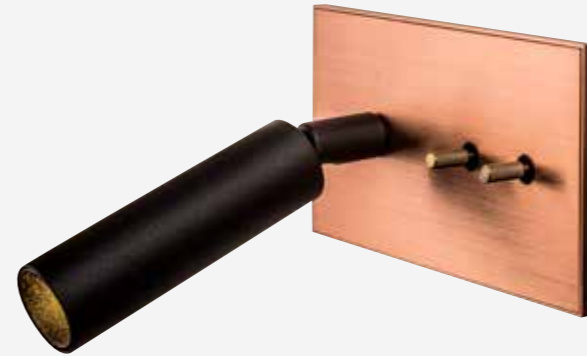


01 Stainless Steel + Textured Black



34 Copper + Textured Black

Nobel



34 Copper + Textured Black



14 Textured Black



13 Textured White

Get in touch

for combinations & personalisation on demand.

📄 page 272



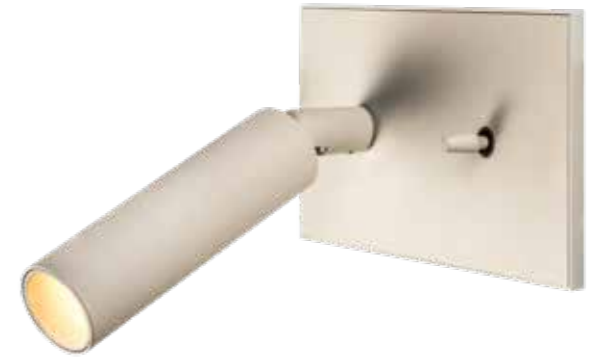
Nobel



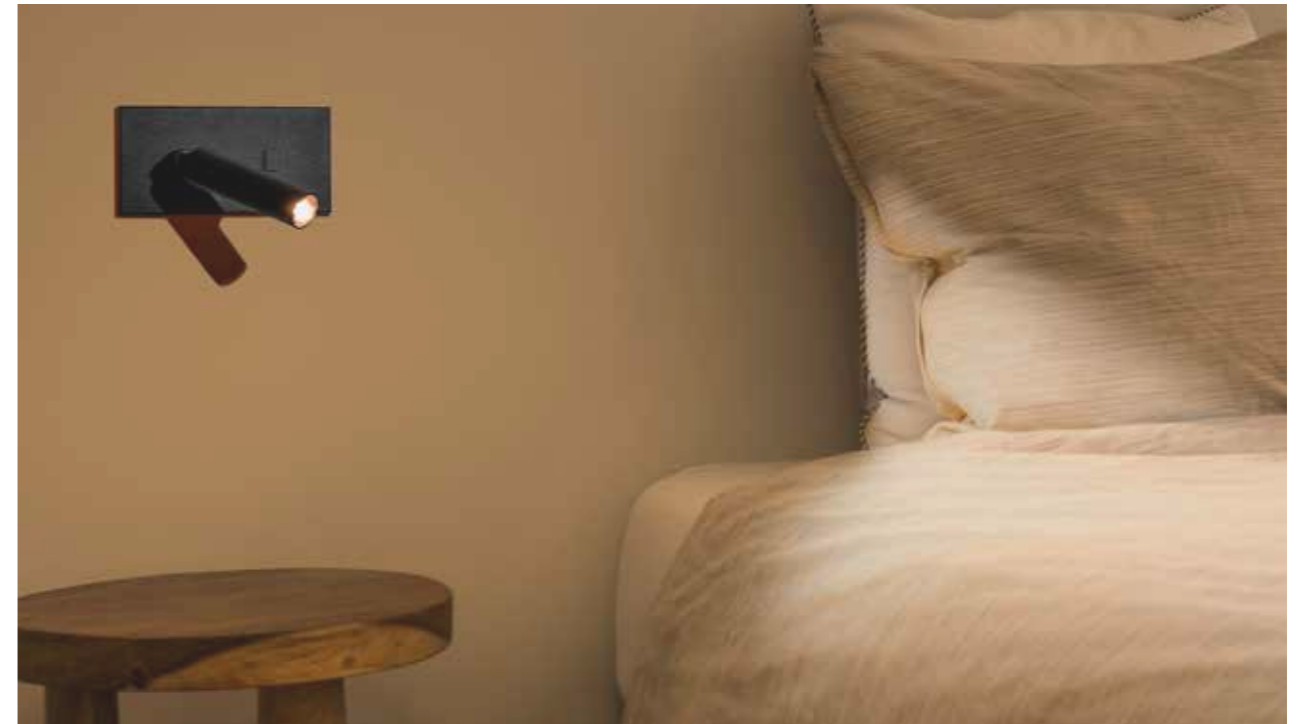
Nobel



Textured Black



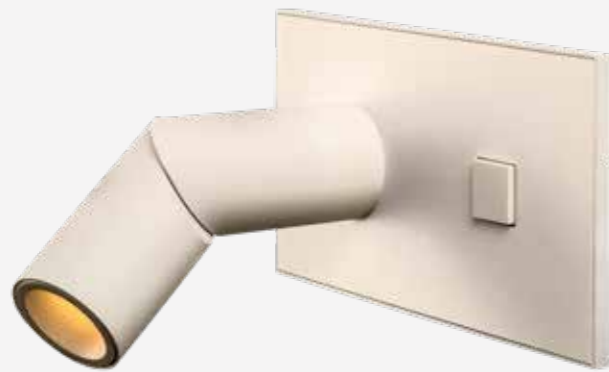
Textured White



Microscoop

Textures & colours

COLOUR COMBINATIONS



13 Textured White



01 Stainless Steel + Textured Black



14 Textured Black



29 Copper

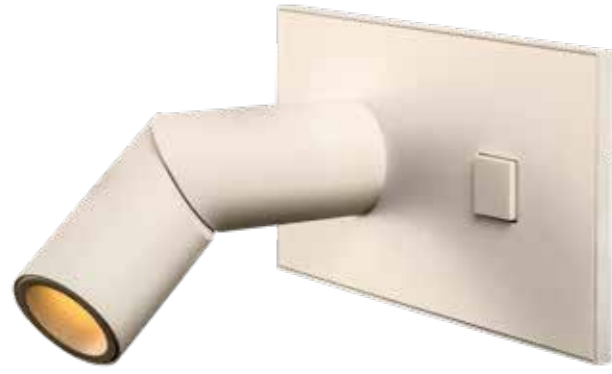
Get in touch

for combinations & personalisation on demand.

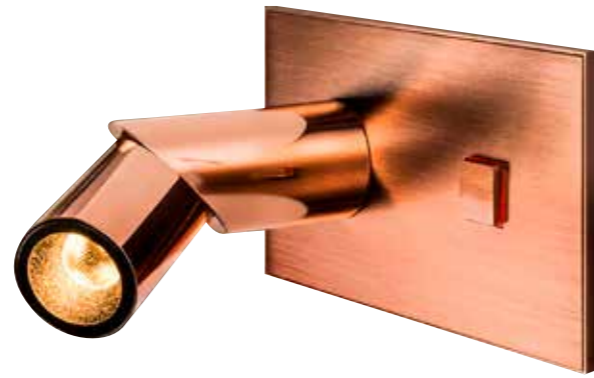
 page 272



Microscoop



Textured White



Copper

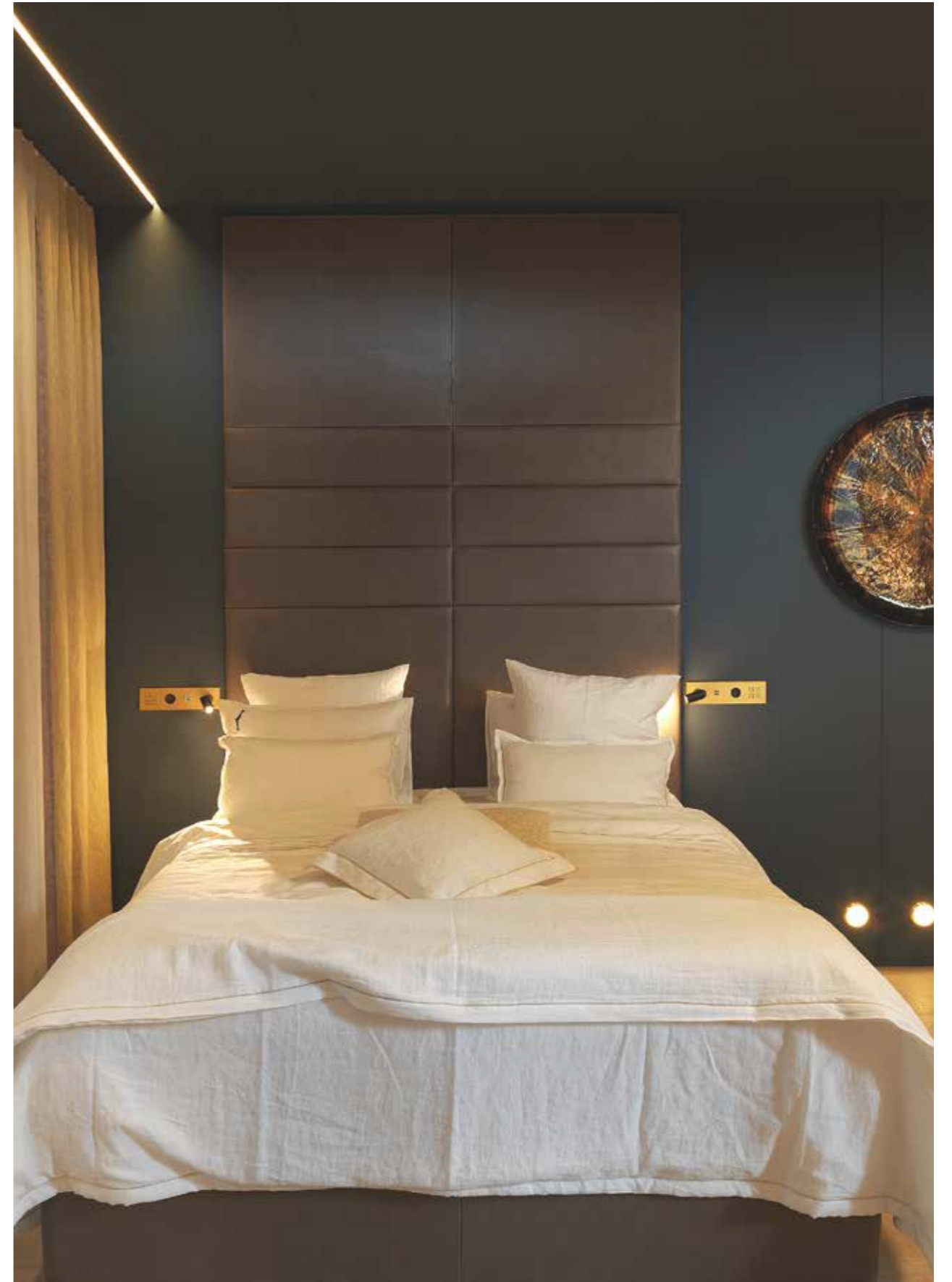


Textured Black



Stainless Steel + Textured Black





Microscop

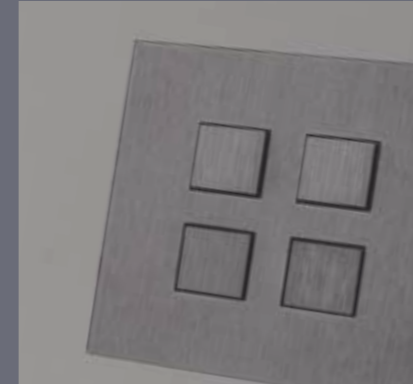
Specials

216

Doorhandle



222 Flush



228

Surface box



232

Hotel Specials



Doorhandle

Design by Lithoss & Quincalux

Lithoss takes the switch part a step further with these doorhandles.

This series perfectly reflects the typical Lithoss DNA and is the result of Lithoss's consistent design philosophy.

Positioning the switch at the same height of the doorhandle creates a perfect match.

Hold on





Doorhandle

Textures & colours



14 Textured Black

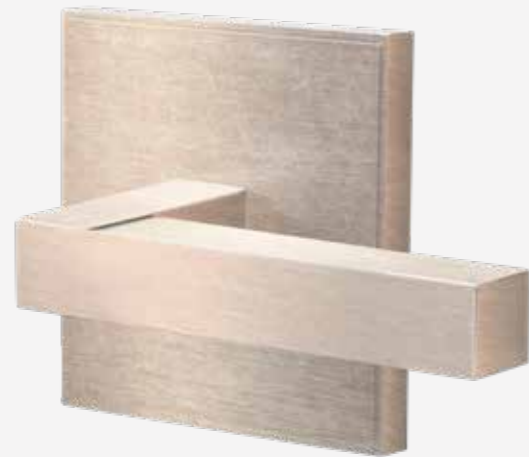


19 Tin Antique



20 Brass Antique

AVAILABLE FINISHES



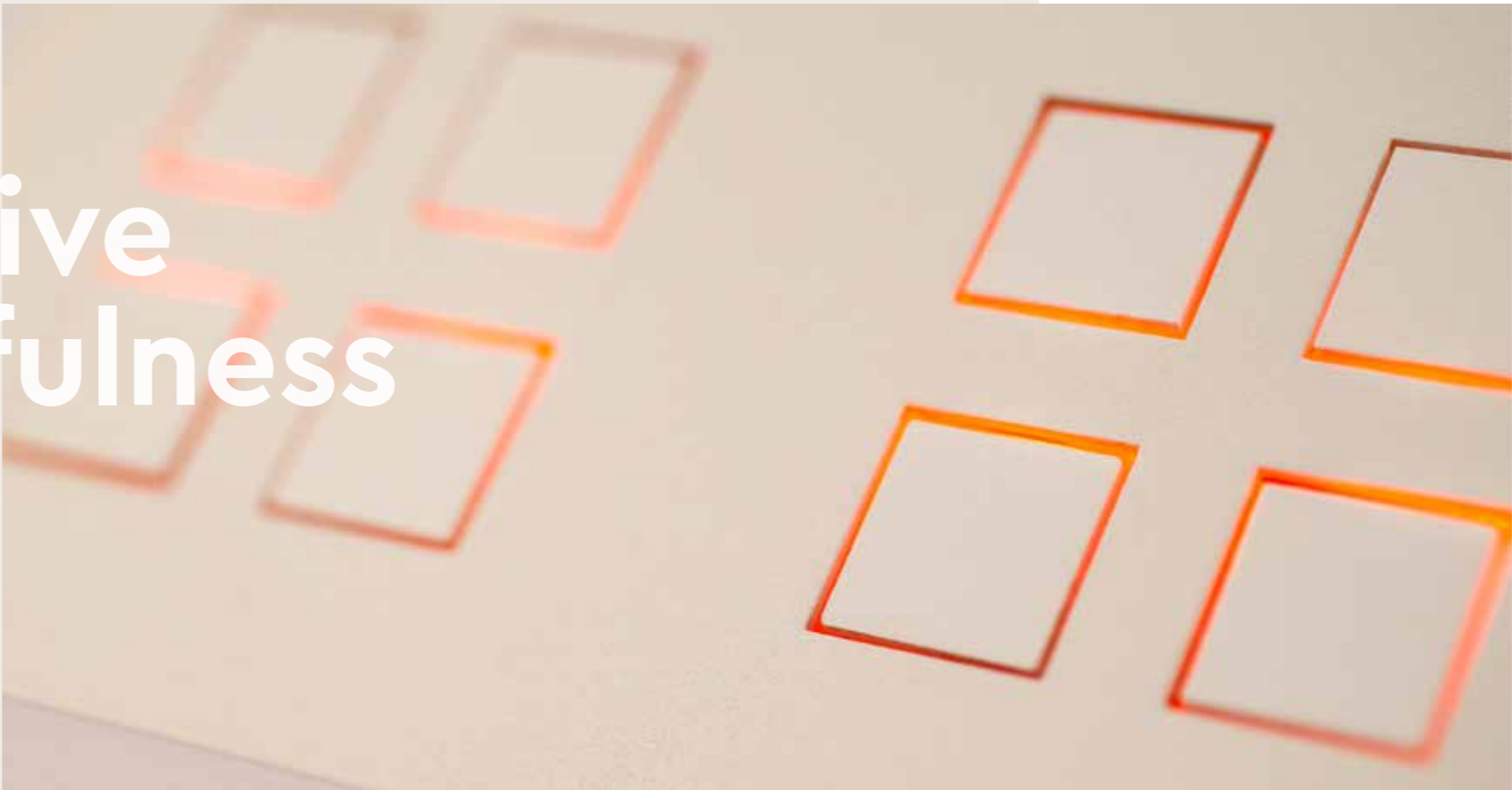
09 Nickel



17 Bronze Antique

Flush

Sensitive gracefulness



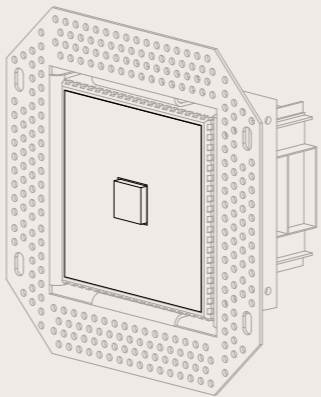
Design by Lithoss

Transform your interior into one sleek entity by means of the 'flush' option, which allows you to integrate the switches in the wall thanks to a new mounting method. Easier than ever before and highly recommended.

As a flush-mounted switch the Lithoss design shines in all its glory. Our Squares collection can be sleekly integrated in any interior. The design harmoniously blends in and creates a space that is in perfect balance.

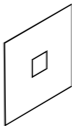


Not available in Circum, Opera, Britannica & Illume



Obligatory accessory to be ordered separately.
For your convenience the plaster frame code is: ACC001 for one module or ACC002 for two modules.
Installation: maximum 1 or 2 modules.

Setups & Combinations



Flush available for Square, Select, Void, Cockpit, Dimmer and Luminaires

FOR COMBINATIONS & PERSONALISATION ON DEMAND

 Check page 272

Flush

Stainless Steel



Flush Dimmer + Textured Black Cone



Textured Black



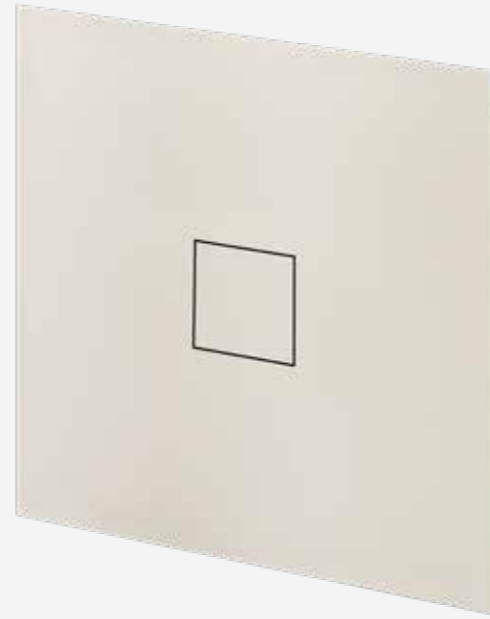
Flush Night Guide

Flush 

Flush

Textures & colours

AVAILABLE IN ALL FINISHES



02 Matt White



01 Stainless Steel



13 Textured White



14 Textured Black

Get in touch

for combinations & personalisation on demand.

 page 272

Surface box

Combine & build up

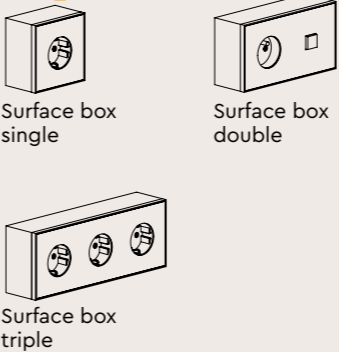


Design by Lithoss

Surface box is a build up accessory that can be combined with your favourite collection. Whether it is Select, Illume, Squares, Cockpit, Void or Dimmer. The surface box covers all your project challenges.

Not available in Circum, Opera & Britannica

Available in



Surface box single

Surface box double

Surface box triple

Setups & Combinations

Ever thought about combining? Both Void and Dimmer work great with Select Surface Box.

FOR COMBINATIONS & PERSONALISATION ON DEMAND

 Check page 272

Surface box

Textures & colours

COLOUR COMBINATIONS



13 Textured White



14 Textured Black



08 Chrome



03 Gunpowder Black



29 Copper

Get in touch

for combinations & personalisation on demand.

page 272

Hotel specials

Room service included



Hotel
1898
The Post
Ghent

**Design by Lithoss**

During the years Lithoss has received several demands of customers who want something special for their hotel. Due to our flexibility many of these demands have worked out pretty well.

Think about customised cardreaders for hotel rooms, room numbers or a combination of a cardreader and a switch. Our switches can be printed

or engraved with your text of choice or symbols on the button and/or coverplate.

A true added value to our products is laser engraving so you don't only see the strength and quality of our products, you also feel them.

Puro Hotels Lodz



Hotel specials



*Add your
room
number*



*Do not
disturb*

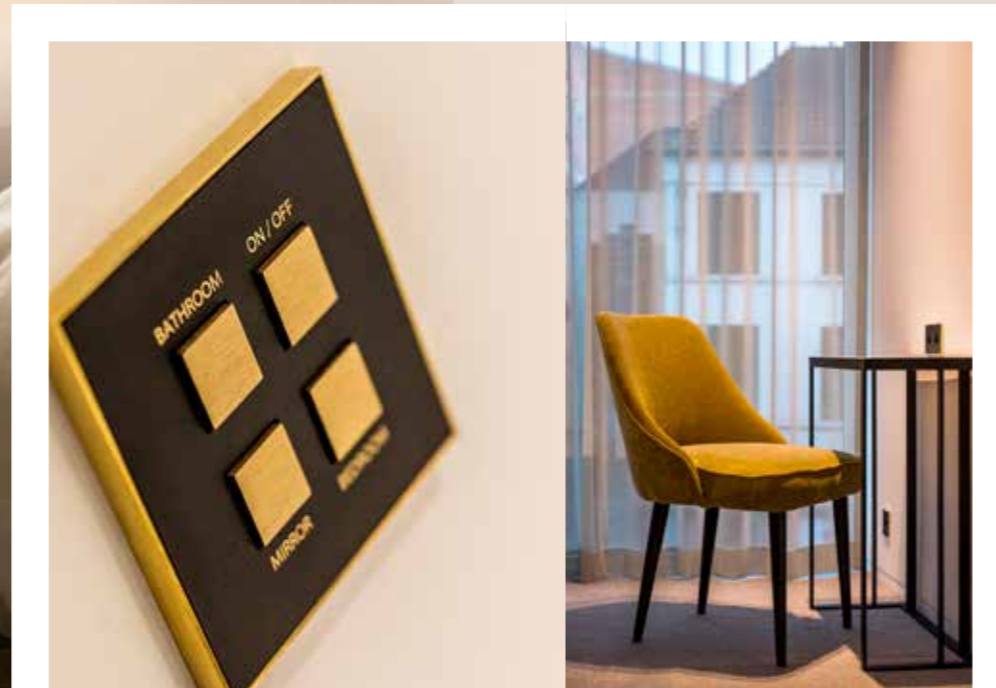


Kazimierz Hotel Kraków



Hotel specials

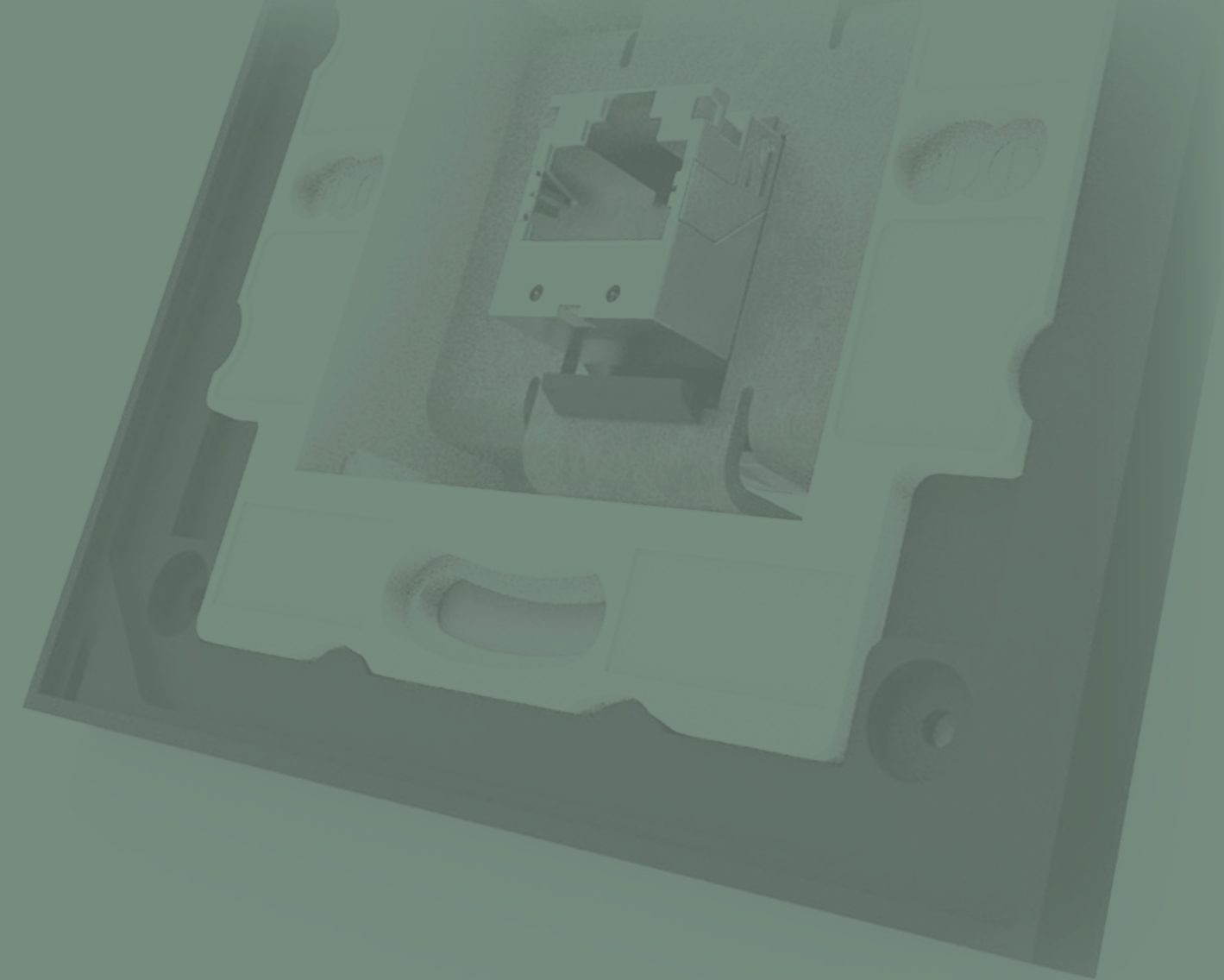
Hotel **Damier**
Kortrijk



Technical guide

1. Dimensions	240
<hr/>	
2. Conventional systems	242
Push button	242
Teleruptor	244
Cockpit Push button	245
Cockpit 2-way	246
Cockpit cross switch	247
Cockpit shutter	248
Dimmer universal	249
Dimmer 1-10V	250
USB A	251
USB A+C	251
RJ 45 / UTP	252
Maintenance Sheet	253
<hr/>	
3. Home automation systems	254
KNX Sensor	254
KNX Dimmer	256
KNX Thermostat	257
Overview	258

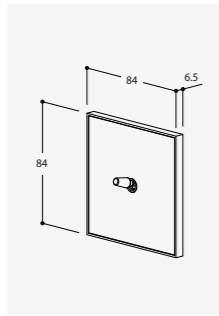
4. Wiring diagrams	260
<hr/>	
5. Compatible wall boxes	262
<hr/>	
6. Compatible modules	270
<hr/>	
7. Combinations	272
<hr/>	
8. Printing / engraving symbols	274



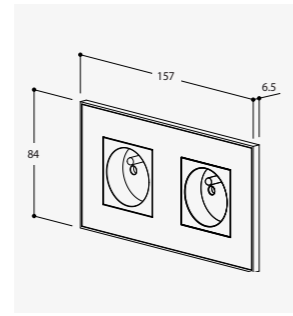
1. Dimensions

*Cockpit,
Select,
Illume,
Squares,
Dimmer,
Void*

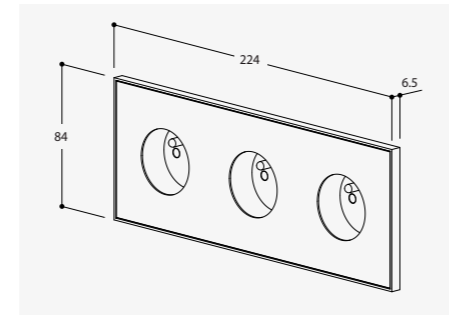
SINGLE FRAME



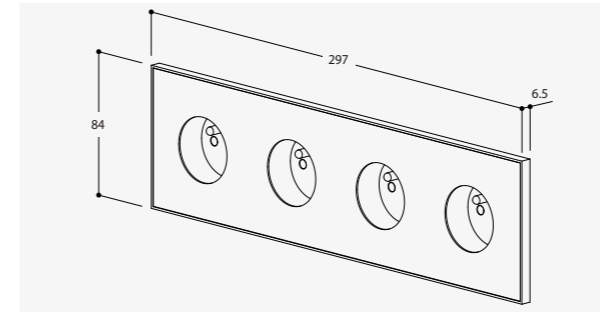
DOUBLE FRAME



TRIPLE FRAME

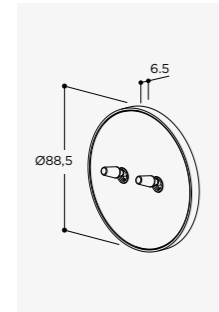


QUADRUPLE FRAME

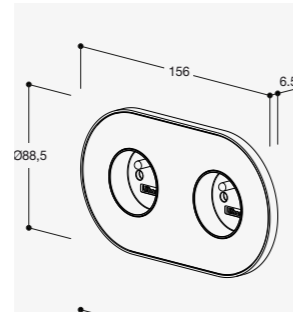


Circum

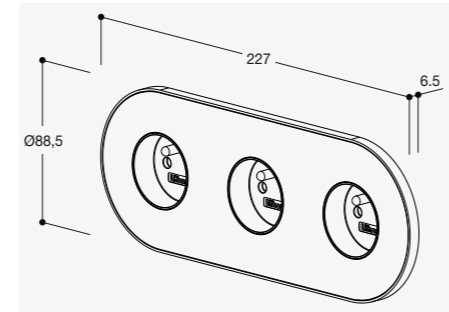
SINGLE FRAME



DOUBLE FRAME



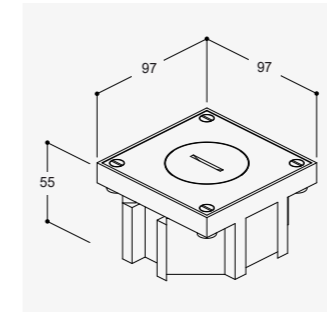
TRIPLE FRAME



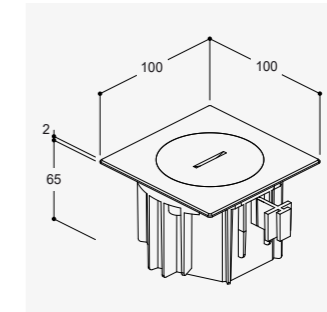
Already a fan of our Circum?
It's available in the following collections:
Cockpit, Select, Squares, Dimmer, Void and Luminaires

Arpi

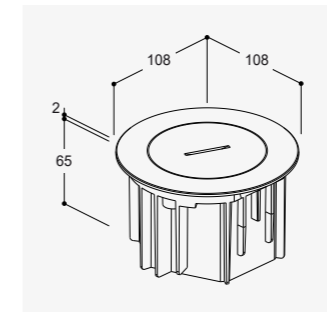
IP64



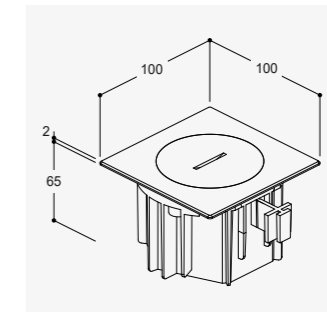
IP66



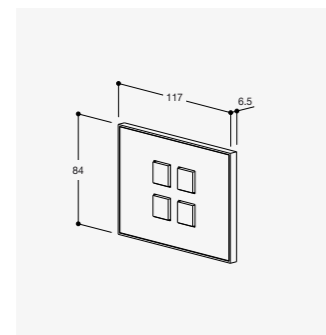
ARPI ROUND



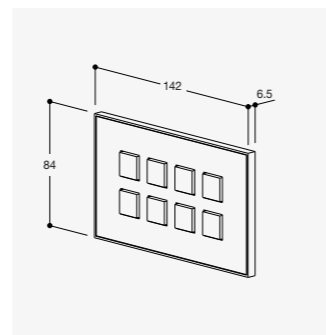
ARPI UK



Opera

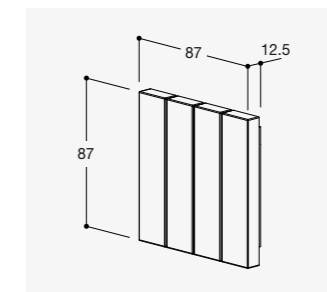


Britannica



Aesteem

SINGLE FRAME



2. Conventional systems

Push Button



FEATURES

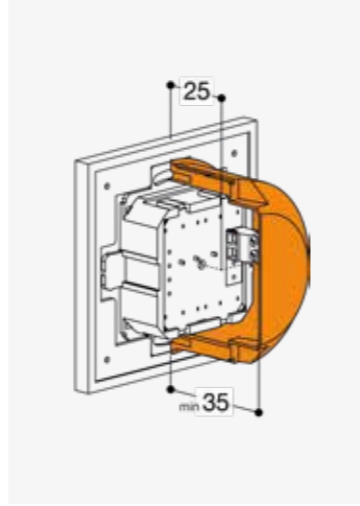
Available in 24V: Select, Opera, Britannica, Circum, Squares & Illume.

Available in 250V: Select, Opera, Britannica, Circum and Squares.

Britannica is provided with an earthing terminal.

TECHNICAL SPECIFICATIONS

Switching capacity	24V/250V
Function	SPST (ON) - OFF
Lifecycle	30 million operations
Maximum load	9 Watt (AC) - 6 Watt (DC)



AESTEEM

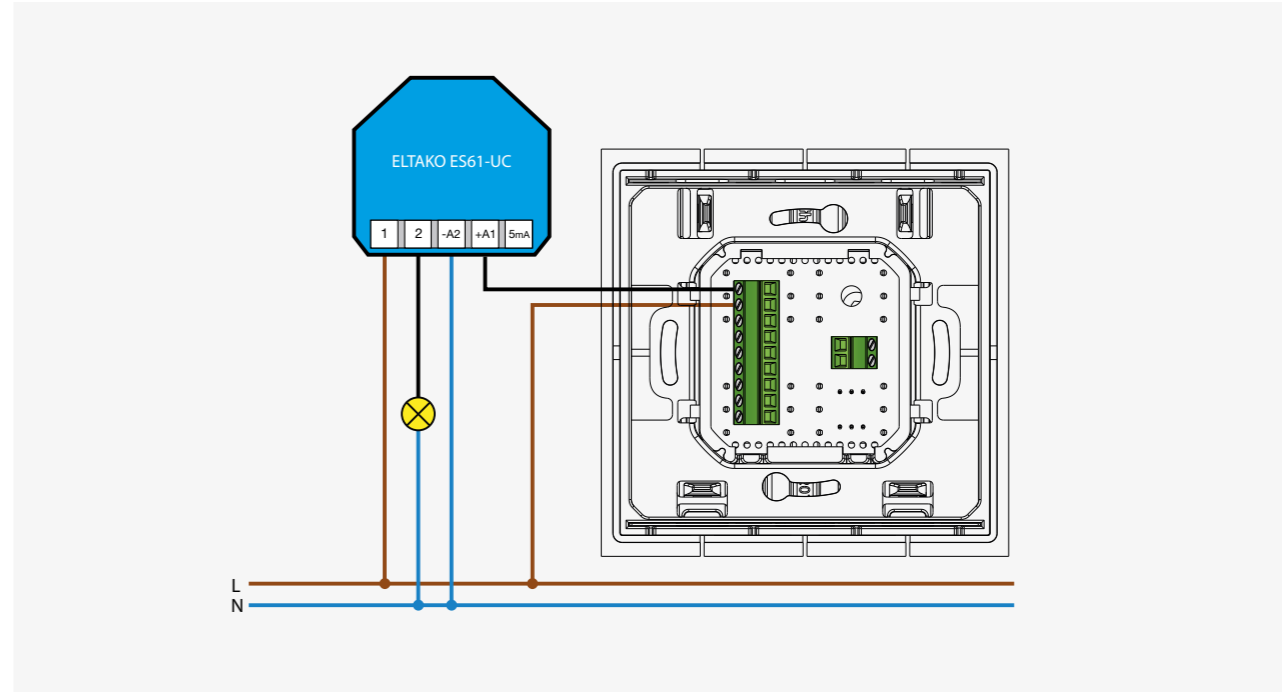
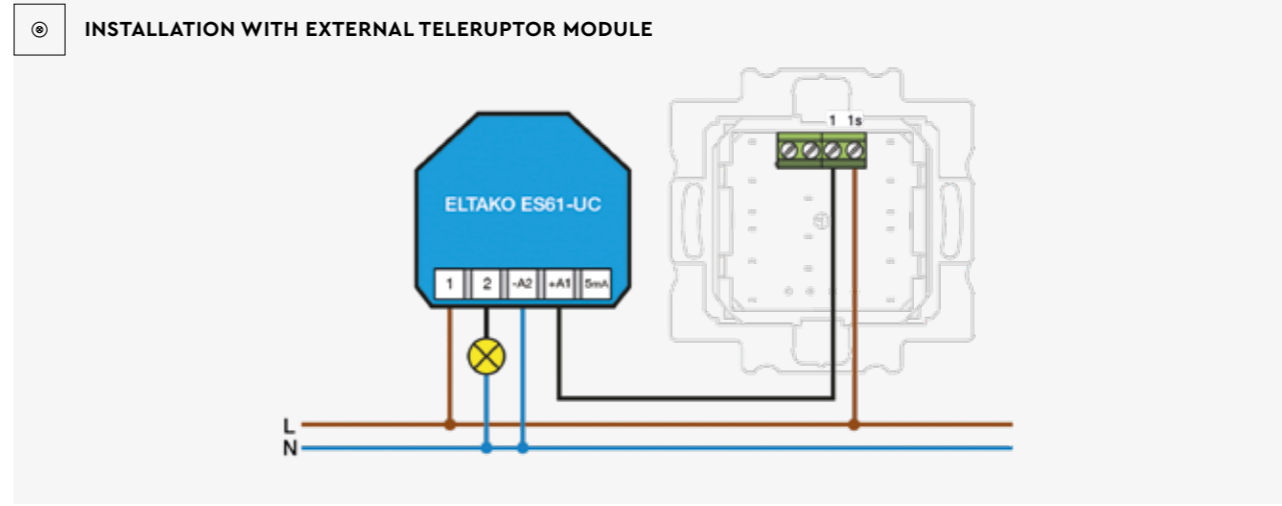
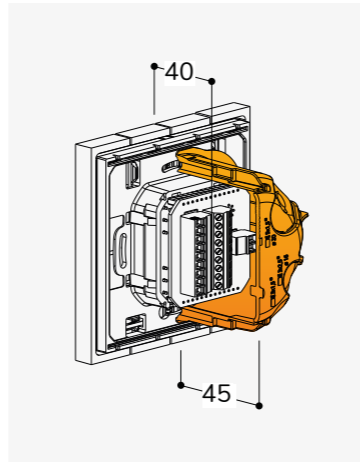


FEATURES

Ideal solution for home automation featuring up to 8 normal open contacts. Individual RGB LED feedback and/or orientation light led function.

TECHNICAL SPECIFICATIONS

Number of potential free push buttons	8
Current Rating	24V
Maximum Switching Capacity	1 A
Power Supply LEDs	24V (CA or CC)
Power LEDs	max. 4,25W



2. Conventional systems

Teleruptor



FEATURES

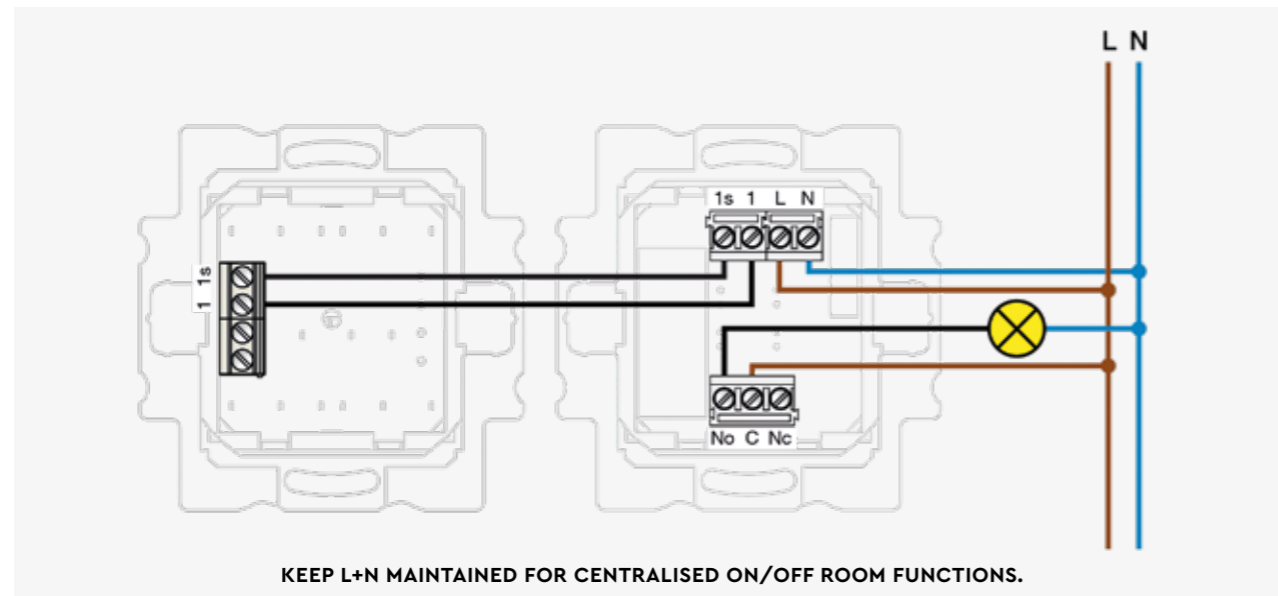
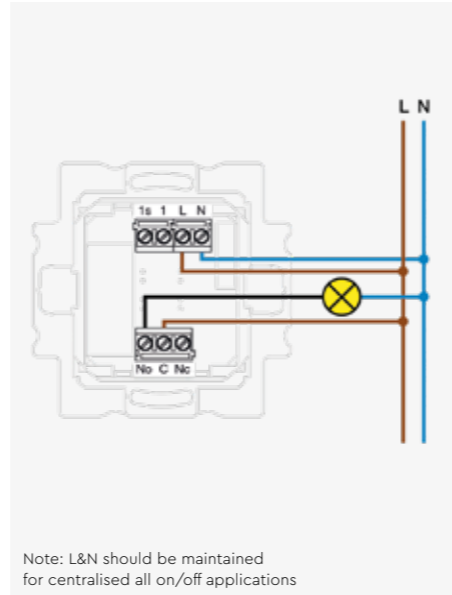
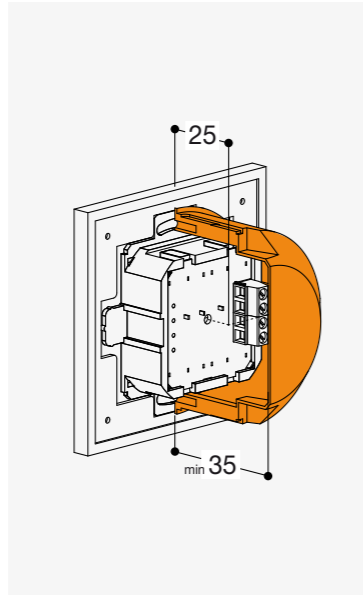
- Integrated teleruptor module
- Expandable with external push buttons
- Limited built-in depth
- Available on 1T Select, Select Flush, Squares & Squares Flush

TECHNICAL SPECIFICATIONS

Switching capacity 250V /16A

APPROVAL

CE Conform
 RoHS RoHS compatible
 Regulatory compliance IEC60669-1

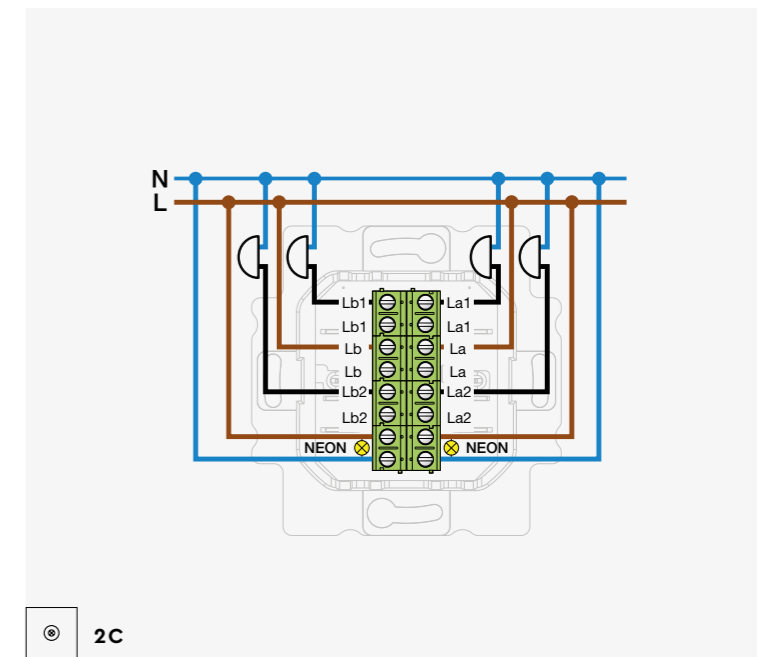
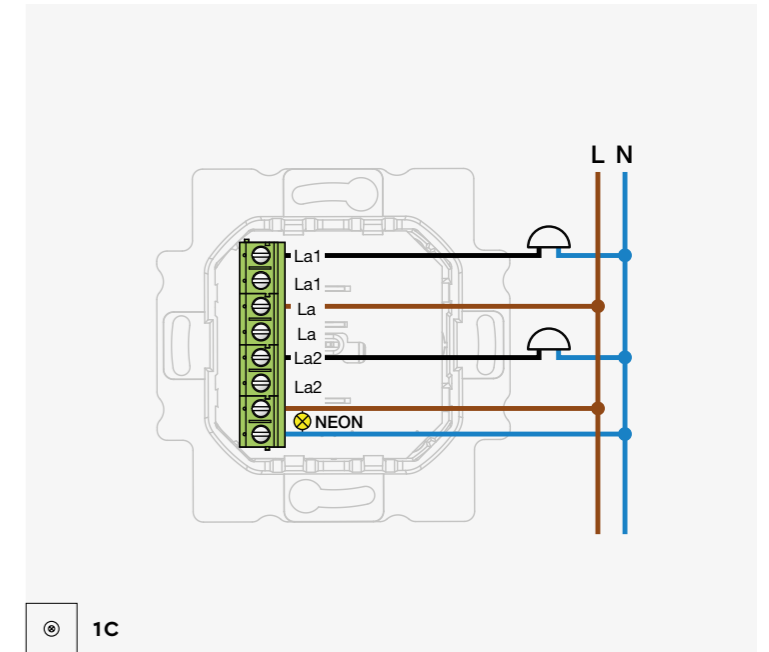


Cockpit Push button



TECHNICAL SPECIFICATIONS

Push button MOM | OFF | MOM
 Switching capacity 250V - 10A
 Neon Feedback Light 250V
 1 or 2 switches per module



2. Conventional systems

Cockpit 2-way

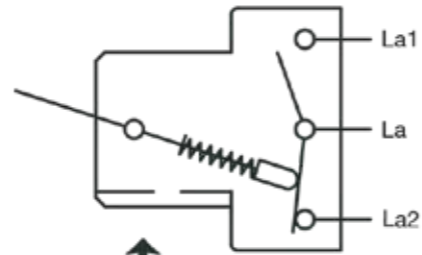
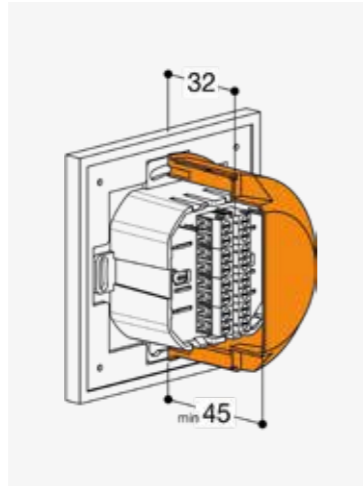


FEATURES

To conventionally control 1 or 2 lighting circuits from 1 place or to control 1 lighting circuit from 2 places.

TECHNICAL SPECIFICATIONS

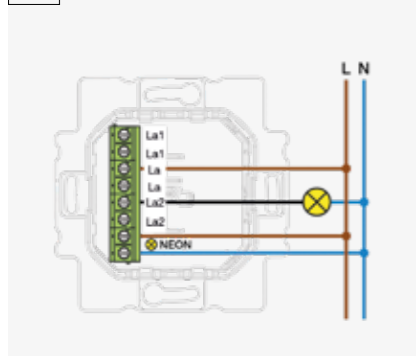
250V - 6AX switching capacity
Toggle switch
1 or 2 switches per module
Neon feedback light



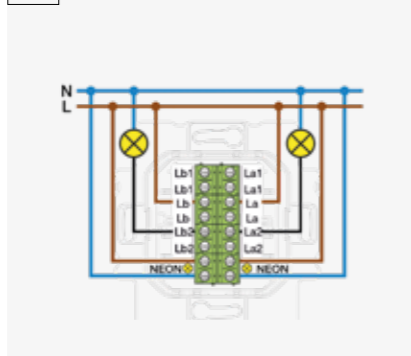
REMARK

La1: contact on = toggle down
La2: contact on = toggle up

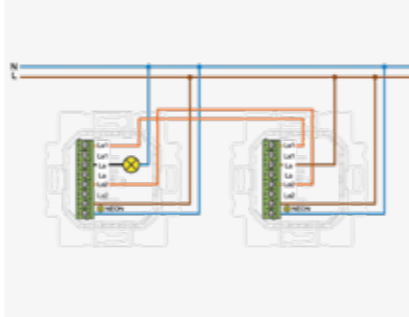
1C - 2-WAY ON | - | ON



2C - 2-WAY ON | - | ON



EXAMPLE: STAIRCASE WIRING, CONTROL 1 LAMP FROM 2 PLACES



Cockpit Cross Switch

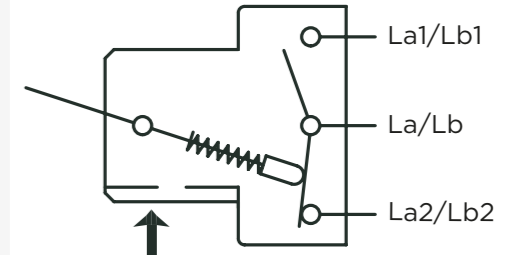
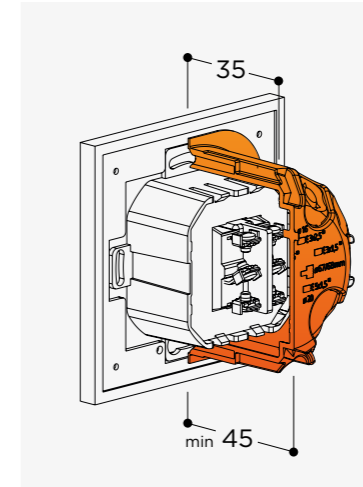


FEATURES

To control conventionally 1 lighting circuit from 3 or more places.

TECHNICAL SPECIFICATIONS

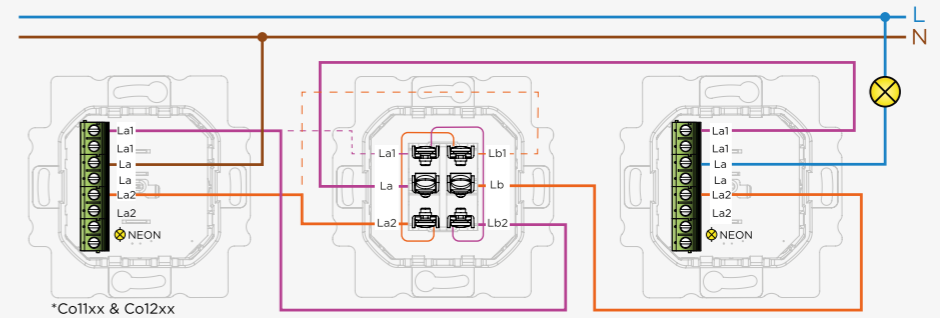
2 way (ON/-/ON) 6AX



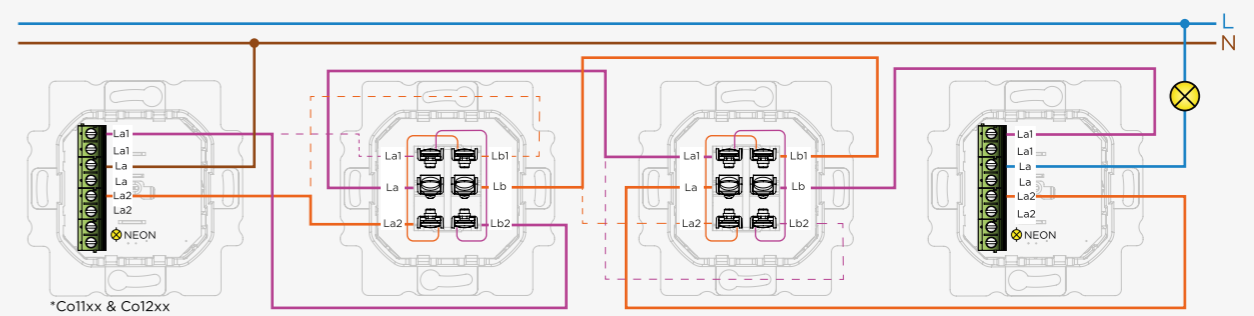
REMARK

La1: contact on = toggle down
La2: contact on = toggle up

STAIRCASE WIRING, CONTROL 1 LAMP FROM 3 PLACES (1 X CROSS)



STAIRCASE WIRING, CONTROL 1 LAMP FROM 4 PLACES (2 X CROSS)



2. Conventional systems

Cockpit shutter

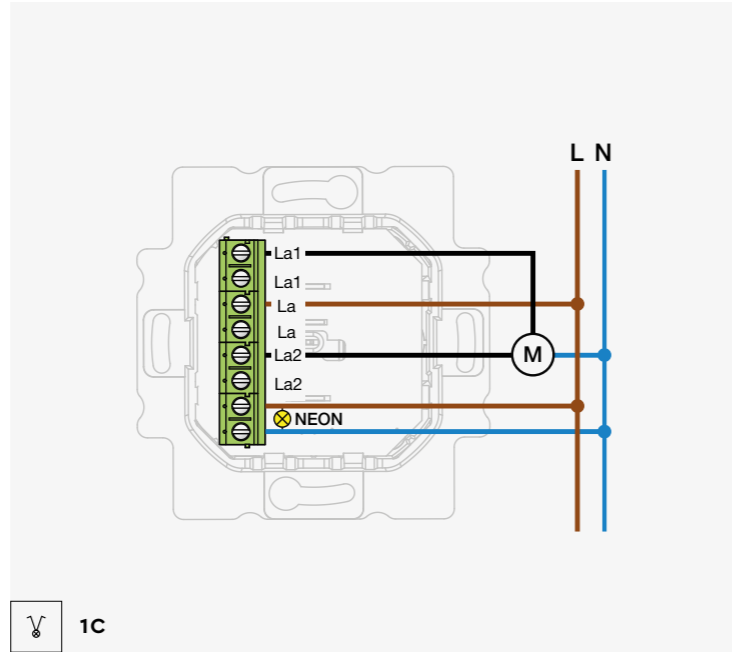


FEATURES

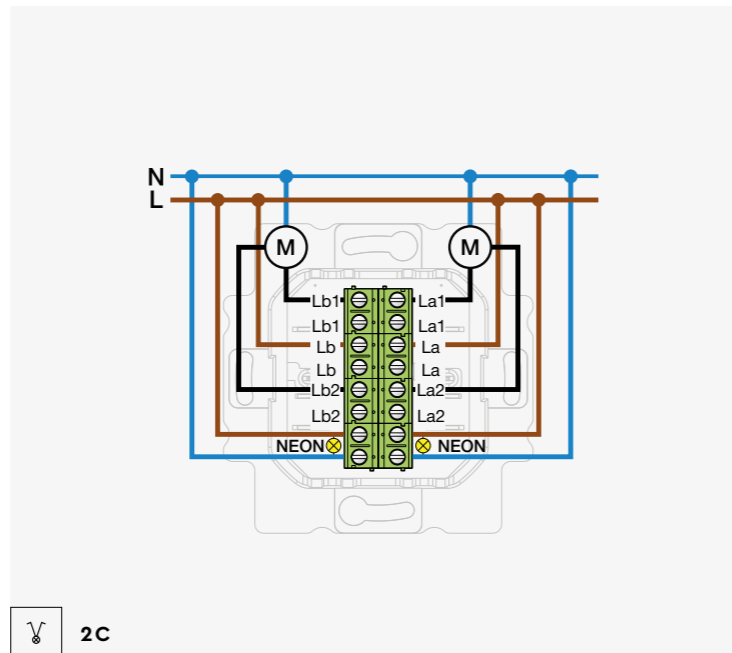
Only for stores with a 250V motor without intelligence.

TECHNICAL SPECIFICATIONS

Shutter Switch ON/ OFF/ ON
 Switching capacity 250V - 10AX
 1 or 2 switches per module



1C



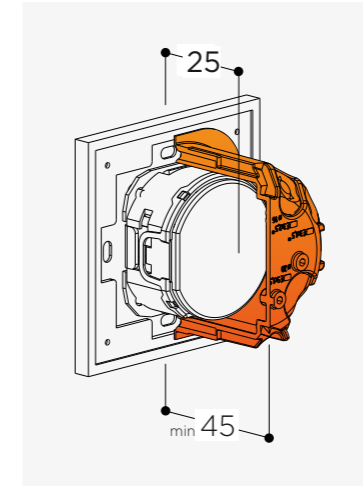
2C

Dimmer Universal



FEATURES

Switching and dimming light bulbs. HV halogen lamps, electronic transformers for halogen or LED lamps, dimmable inductive transformers for halogen or LED lamps, HV LED or compact fluorescent lamps.
 Connecting auxiliary units is possible. Automatic or manual setting of dimming principle according to load (leading or trailing edge).
 Display of the selected operating mode using LED.
 Bulb-saving switch-on.
 Switch-on brightness can be saved permanently.
 Switch-on with the last brightness set, or a saved switch-on brightness.
 Minimum brightness can be set.
 Electronic short-circuit protection.
 Electronic excess-temperature protection.
 Operation with and without neutral conductor connection.



Specifications

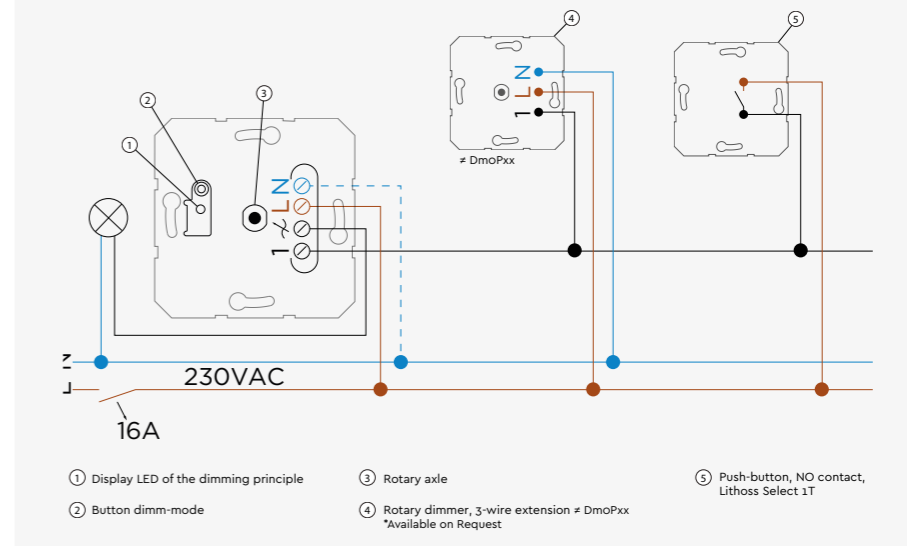
Rated voltage	AC 230V
Mains frequency	50-60 Hz
Standby power	0,35 W
Power loss	4 W
Ambient temperature	-5°C/+45°C

Mixed load:

Ohmic-capacitive	20-420 W
Capacitive-inductive	not permitted
Ohmic-inductive	20-420 VA
Ohmic and HV Lamp	typically 3-100 W
Ohmic and compact fl lamp	typically 3-100 W

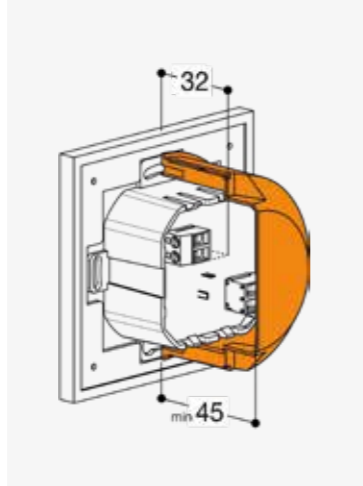
W 20...420	W/VA 20...420	W 3...100	W/VA 20...100

WIRING DIAGRAM



2. Conventional systems

Dimmer 1-10V



FEATURES

- 1-10V dim controller
- Switching capacity 2A
- Ergonomic button
- Natural feeling

TECHNICAL SPECIFICATIONS

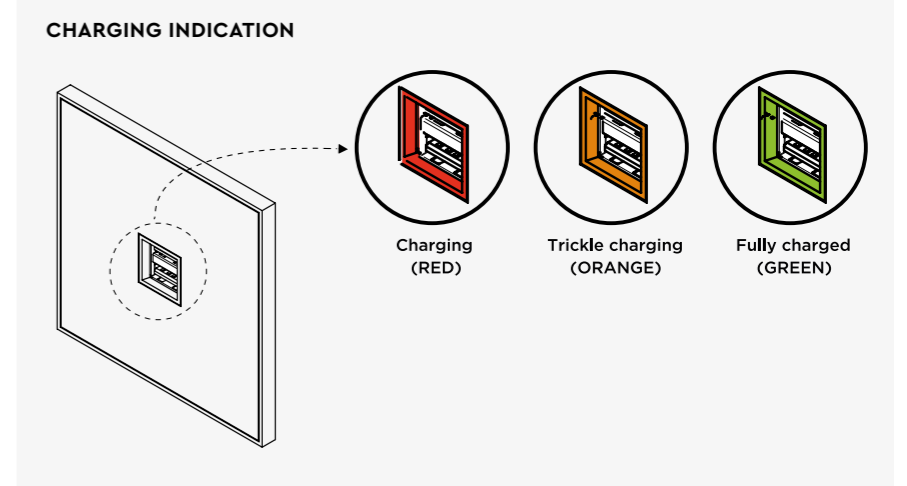
Switching capacity	2A (220kΩ)
Switch function	OFF/ON

USBA

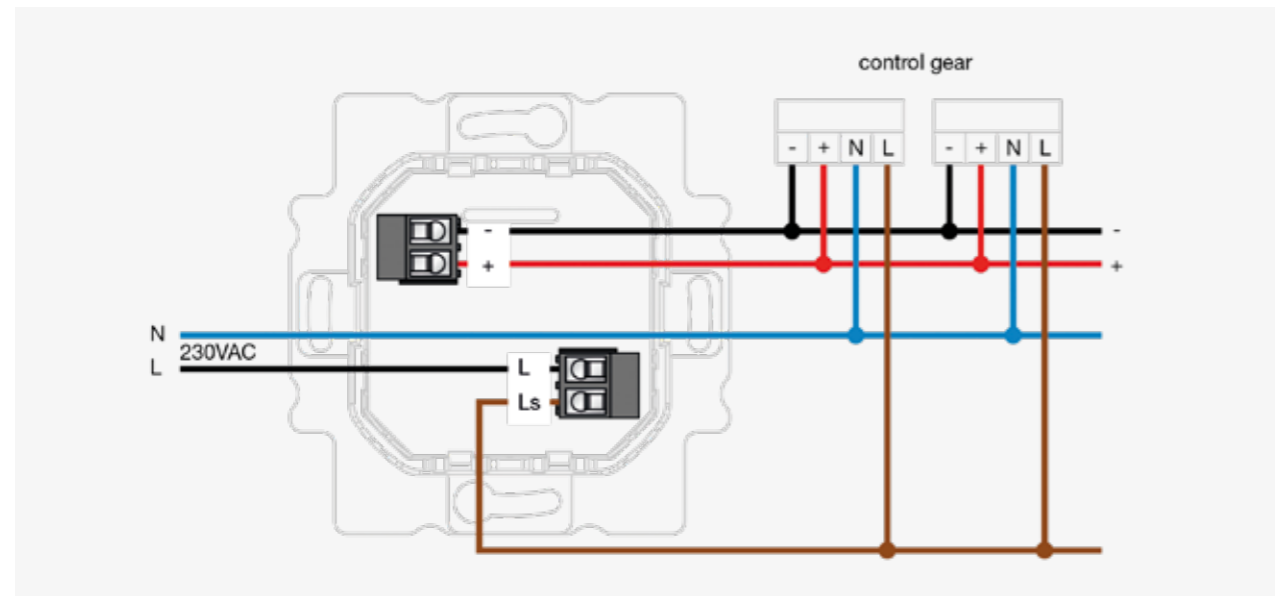


FEATURES

Output current 2A (10 W)



Don't want to be disturbed by feedback light during the night?
Order without charging led indicator.

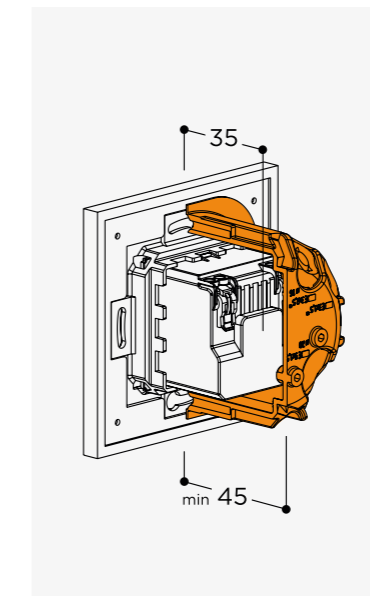


USBA + C



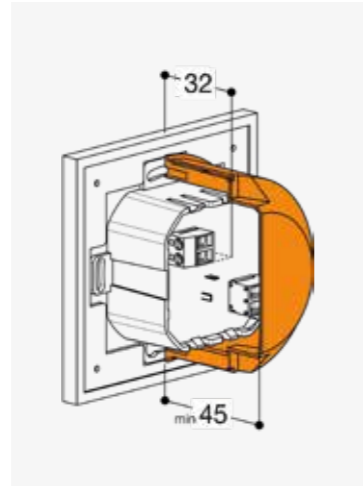
FEATURES

Output current 3A (15 W)



2. Conventional systems

RJ 45 / UTP



FEATURES

type	RJ45 UTP110
Category	6
Shielding	unshielded



Onderhoudsfiche - Maintenance Sheet - Fiche de maintenance - Wartungsblatt

NL Installatie- en onderhoudsrichtlijnen met betrekking tot de fabrieksgarantie

1. De plaatsing, de aansluiting en het uittesten van dit toestel dient steeds te gebeuren door een erkend elektrotechnisch installateur
2. Gebruik steeds de "tool" voor het verwijderen van de "Cover Plate" (afdekplaat).
3. Reinig het toestel enkel met een zachte en licht vochtige doek zonder reinigingsmiddel.*
4. Leg altijd eerst de elektriciteit af alvorens te plaatsen en installeren.

FR Instructions d'installations et d'entretien à respecter vis-à-vis de la garantie d'usine.

1. Le placement, le raccordement et l'essai de cet appareil doivent toujours être effectués par un électricien/installateur agréé.
2. Utilisez toujours le "tool" pour l'écartement du "Cover Plate" (plaque de couvercle).
3. Nettoyez l'appareil uniquement avec un chiffon doux et légèrement humide sans détergent.*
4. Toujours débrancher l'électricité avant d'installer.

EN Installation and maintenance instructions associated to the manufacturer's warranty.

1. The installation, connection and testing of this device should always be performed by a recognized electrician/installer.
2. Always use the 'tool' for the removal of the "Cover Plate"
3. Clean the device only with a soft and slightly wet piece of cloth without any detergent.*
4. Always switch off the electricity before installation.

DE Montage und Unterhal Instruktionen zu beachten mit Bezug auf der Fabrikgarantie.

1. Die Installation, der Anschluss und das Austesten des Gerätes soll immer von einem zertifizierten Elektroinstallateur.
2. Benutzen Sie immer das "tool" für den Abbau der "Cover Plate" (Deckplatte)
3. Das Gerät nur reinigen mit einem zarten und leicht feuchten Lappen ohne Reinigungsmittel.*
4. Immer die Elektrizität ausschalten bevor Installation.



NL Gebruik een licht vochtige microvezeldoek.

FR Utilisez un chiffon en microfibre légèrement humide.

EN Use a slightly damp microfiber cloth.

DE Verwenden Sie ein leicht feuchtes Mikrofaser Tuch.



NL Gebruik nooit schuursponzen, schuurmiddelen & polierpoeders.

FR Ne jamais utiliser d'éponges abrasives, d'abrasifs et de poudres à polir.

EN Never use abrasive sponges, abrasives & polishing powders.

DE Verwenden Sie niemals Schleifschwämme, Schleifmittel und Polierpulver.



NL Gebruik nooit schilderstape om de afdekplaat of de kader te beschermen bij het schilderen. We raden aan om de toestellen volledig te demonteren.

FR Ne jamais utiliser de ruban de masquage pour protéger la plaque de recouvrement ou le cadre lors de la peinture. Nous vous recommandons de démonter complètement les appareils.

EN Never use masking tape to protect the cover plate or the frame when painting. We recommend to fully disassemble the devices.

DE Verwenden Sie beim Lackieren niemals Abdeckband zum Schutz der Abdeckplatte oder des Rahmens. Wir empfehlen Ihnen, die Geräte vollständig zu demontieren.



NL Gebruik nooit hardnekkige chemische & alcoholhoudende reinigingsmiddelen. Deze zullen de bescherm laag aantasten.

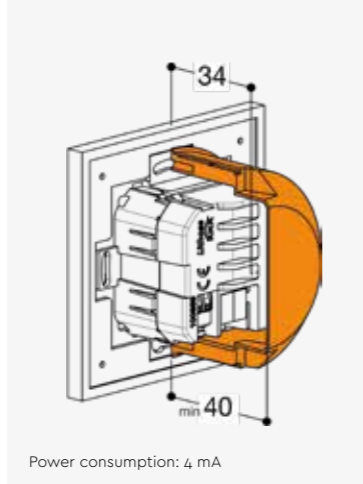
FR N'utilisez jamais de nettoyeurs chimiques et alcooliques tenaces. Cela endommagera la couche de protection.

EN Never use stubborn chemical and alcoholic cleaning agents. These will damage the protective layer.

DE Verwenden Sie niemals hartnäckige chemische und alkoholische Reinigungsmittel. Diese beschädigen die Schutzschicht.

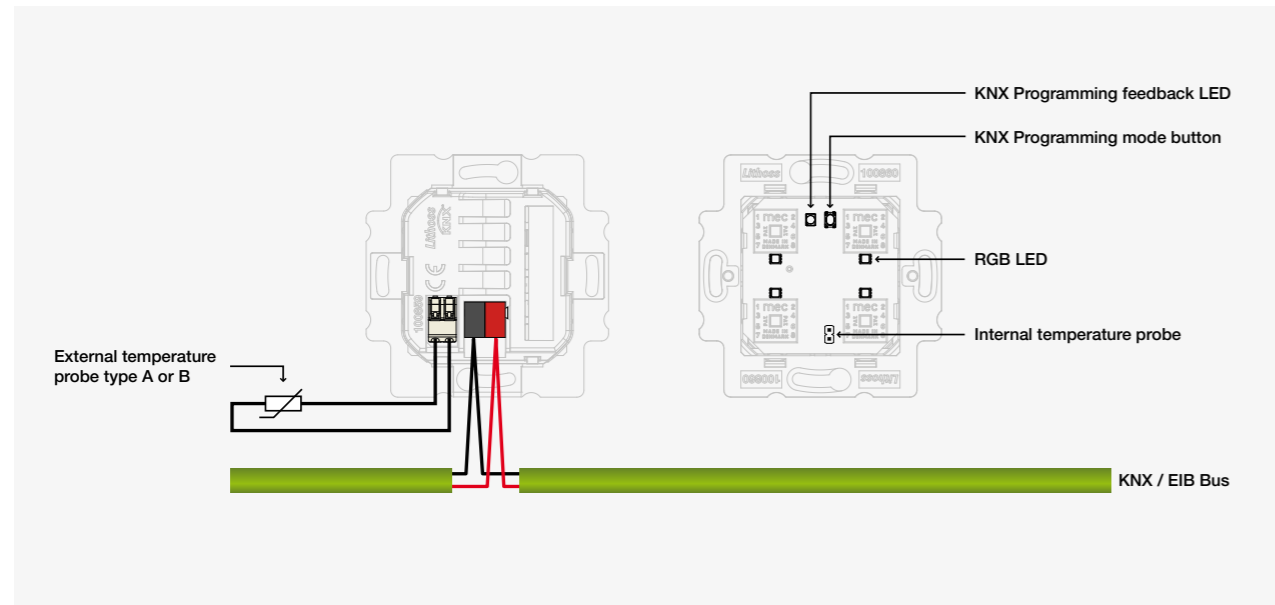
3. Home automation systems

KNX sensor



FEATURES

- Fully integrated KNX sensor.
- Individual RGB led feedback.
- Integrated temperature sensor.
- 1 bit commands: on / off toggle with short / long press.
- 1 byte commands (0-255 / HVAC / value %).
- Orientation light led function.
- Connect external temperature sensor.
- Sequences with different group addresses.
- Scene management.
- Easy set-up (compatible with ETS4 & ETS5).
- Thermostat function.



Led feedback per button



Individual RGB led feedback



Orientation light with different brightness



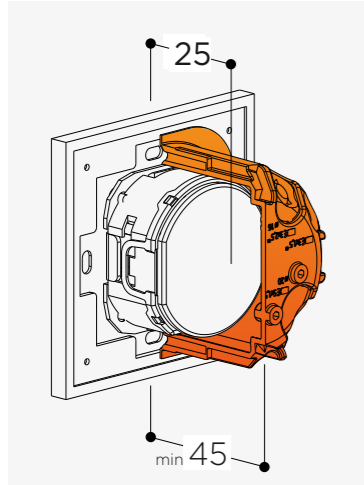
Orientation light with RGB

Optional temperature probes

Acc003	Type A (-20°C / +100°C)
Acc004	Type B (-50°C / +60°C)

3. Home automation systems

KNX dimmer



Specifications

KNX medium	TP 1
Commissioning mode	S-mode
Rated voltage KNX	DC 21-32V
Safety class	III
Connection type bus	Connection terminal
Current consumption	
KNX	max 12,5 mA
Energy saving mode	3 mA
Push button interface	
Poll voltage	20 V
Cable length	max 5m
Dimmer type	rotary switch

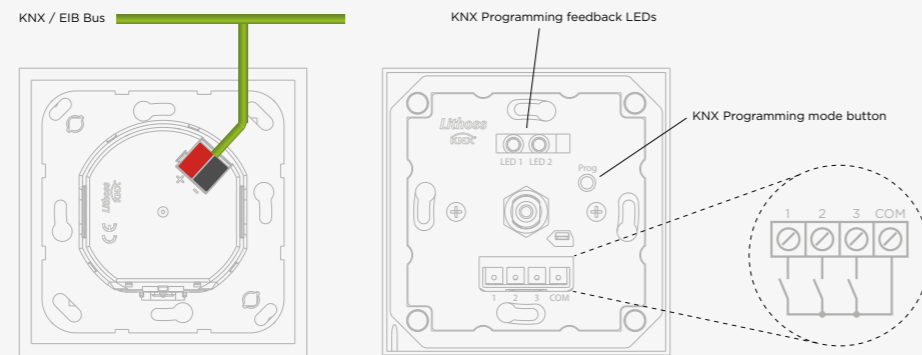
Ambient conditions

Ambient temperature	-25°C/+55°C
Storage/transport temperature	-25°C/+55°C
Relative Humidity	5-93%

FEATURES

The Lithoss KNX rotary sensor is used for controlling dimming, switching, and blind actuators, as well as for adjusting the target value of a temperature controller. This KNX rotary sensor follows the well-known operating concept and Lithoss look of a rotary dimmer with incremental encoder. The rotary sensor has three extension inputs for connecting conventional, potential-free contacts of switches, buttons, and magnetic contacts. A beeper generates a confirmation tone or signals an alarm.

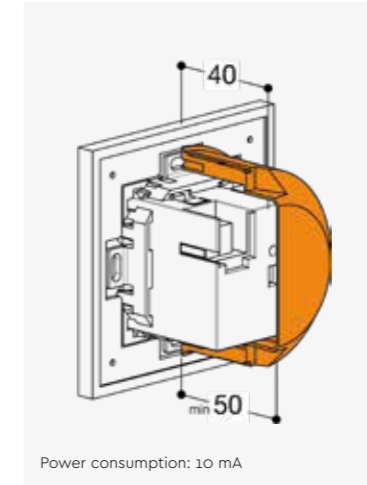
WIRING DIAGRAM



Connecting and fitting the device

- Connect bus line with terminal to bus connection (1).
- If necessary, connect potential-free contacts to the push-button interface (5) between terminals COM and 1...3 (figure 2).
- Install the device (2) in the appliance box.
- Mount the frame (6), the central plate (7) and the control button (8).

KNX thermostat



Power consumption: 10 mA



FEATURES

RGB backlit touch display.
Internal temperature sensor (0 to 40°C).
External temperature sensor (-20 to 70°C).
Temperature sensors can be managed by the thermostat.
Setup different reference temperature.
Management of different HVAC systems.
Boost function.
Humidity measurement.
Different system protection functions.
16 scenarios.

TIP

Adjust the RGB background light with the orientation RGB led for the finishing touch.



3. Home automation systems

Lithoss 24V pushbuttons are compatible with almost every home automation system by using an interface. Below you will find the most common interface modules that can be used in combination with Lithoss push buttons.

Manufacturer	System	Product Code	# Channels	LED feedback	Dimensions
ABB/Busch Jaeger	Busch-free@home	6241/2.0 U	2		39 × 40 × 12 mm
ABB/Busch Jaeger	Busch-free@home	6241/4.0 U	4		39 × 40 × 12 mm
ABB/Busch Jaeger	EIB/KNX	US/U 2.2	2	•	39 × 40 × 12 mm
ABB/Busch Jaeger	EIB/KNX	US/U 4.2	4	•	39 × 40 × 12 mm
Berker	EIB/KNX	7564 20 01	2	•	43 × 29 × 16 mm
Berker	EIB/KNX	7564 40 01	4	•	43 × 29 × 16 mm
Berker	EIB/KNX	7564 80 01	8	•	44 × 48 × 32 mm
Btici	My Home	3477	2		41 × 41 × 18 mm
Clipsal	C-Bus	5104BCL	4		55 × 49 × 19 mm
Clipsal	C-Bus	5102BCLEDL	2	•	55 × 49 × 19 mm
Conson	EIB/KNX	XP28	4	•	45 × 45 × 10 mm
Control4	Control4	C4-DCIM4	4	•	48 × 48 × 10 mm
Crestron	Cresnet	CH-UNI8IO	8	•	50 × 42 × 24 mm
Domintell	Domintell	DISM04	4	•	46 × 28 × 15 mm
Domintell	Domintell	DISM08	8	•	46 × 28 × 15 mm
Eelectron	EIB/KNX	AD84A02KNX	4	•	43 × 36 × 24 mm
Eelectron	EIB/KNX	IO22Co2KNX	2	•	43 × 36 × 17 mm
Eelectron	EIB/KNX	IO44Co2KNX	4	•	43 × 36 × 17 mm
Jung	EIB/KNX	2076-2 T	2	•	43 × 28 × 16 mm
Jung	EIB/KNX	2076-4 T	4	•	43 × 28 × 16 mm
Gira	EIB/KNX	1118 00	2		44 × 29 × 16 mm
Gira	EIB/KNX	1119 00	4		44 × 29 × 16 mm
Hager	EIB/KNX	TX 302	2		38 × 35 × 12 mm
Hager	EIB/KNX	TX 304	4		38 × 35 × 12 mm
Hager	EIB/KNX	TX 344	4	•	38 × 35 × 12 mm

*Note: this list is not complete. For other brands, please contact us.

Manufacturer	System	Product Code	# Channels	LED feedback	Dimensions
IPBuilding	IPBuilding	IPO401	1		20 × 20 × 13 mm
IPBuilding	IPBuilding	IPO402	2		20 × 20 × 13 mm
IPBuilding	IPBuilding	IPO404	4		30 × 20 × 15 mm
IPBuilding	IPBuilding	IPO406	6		30 × 20 × 15 mm
IPBuilding	IPBuilding	IPO402FB	2	•	20 × 20 × 13 mm
IPBuilding	IPBuilding	IPO406FB	6	•	30 × 20 × 15 mm
Loxone	Smart Home	-	-	-	DIN rail module
Lutron	Grafik Eye	GRX-WCI	2		59 × 59 × 20 mm
Luxom	Luxom	DS03LX	10 (input or output)	•	40 × 40 × 15 mm
Merten	EIB/KNX	KNX 670802	2	•	30 × 40 × 12 mm
Merten	EIB/KNX	KNX 670804	4	•	30 × 40 × 12 mm
Niko	Niko Home Control	550-20000	4		40 × 27 × 5 mm
One Smart control	One Smart control	-	-	-	One. component
Osram	Dali	DALI PRO PB Coupler	4		42 × 42 × 20 mm
Qbus	Qbus	INPO2	2	•	41 × 40 × 12 mm
Qbus	Qbus	INPO4	4	•	41 × 40 × 12 mm
Siemens	EIB/KNX	5WG1 220-2AB02	4		38 × 43 × 18 mm
Siemens	EIB/KNX	5WG1 220-2AB13	2		38 × 43 × 18 mm
Siemens	Dali	5WG1 141-2AB71	4		-
Teletask	Teletask	TDS12124	4		42 × 42 × 16 mm
Teletask	Teletask	TDS12125	4	•	42 × 42 × 22 mm
Theben	EIB/KNX	TA 2 496 9 202	2	•	37 × 37 × 10 mm
Theben	EIB/KNX	TA 4 496 9 204	4	•	37 × 37 × 10 mm
Theben	EIB/KNX	TA 6 496 9 206	6	•	37 × 37 × 10 mm

*Note: this list is not complete. For other brands, please contact us.

4. Wiring diagrams

Luminaires

GENERAL DESCRIPTION

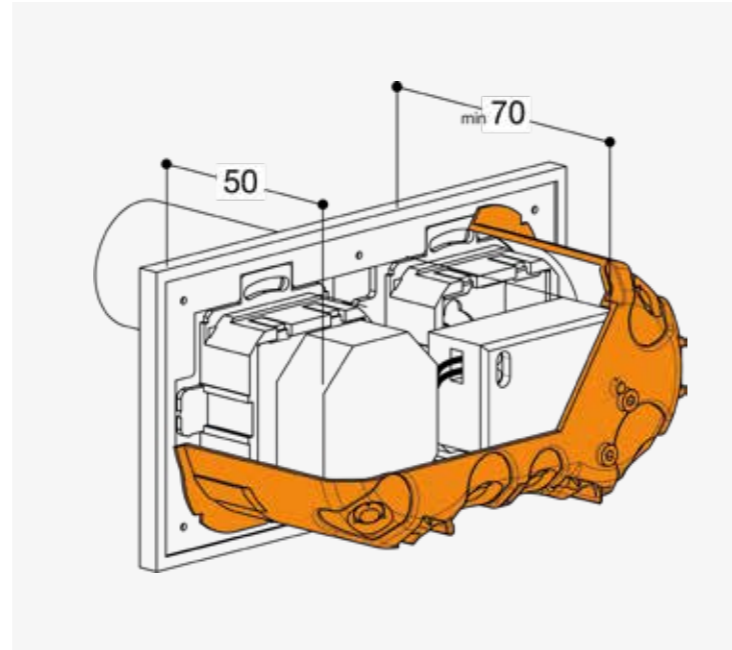
The Luminaires can be combined within the Select, Squares & Cockpit range. The small lighting fixtures are perfectly integrated. They can be used as bedlight or reading lamp.

TECHNICAL SPECIFICATIONS (LED FIXTURE)

Power	4Watt
Light output	400 lumen
Control	350mA DC
Vf	10,95V
Colour temperature	2700K
Dimmable	PWM

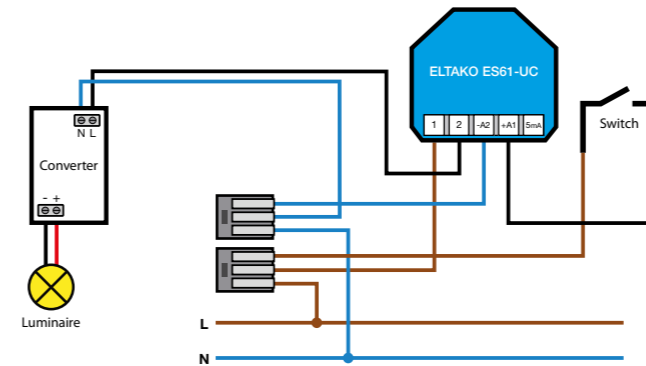
APPROVAL

CE	Conform
RoHS	RoHS compatible

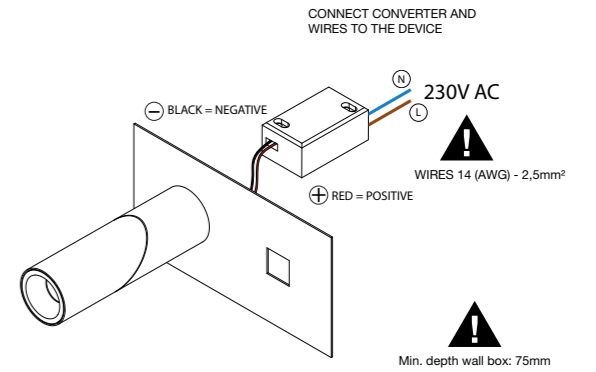


SUGGESTED WIRING DIAGRAM

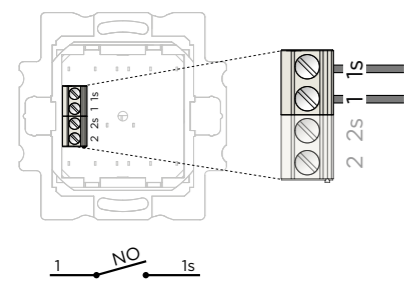
Luminaire + ES61 + TL930541



Luminaire + TL930541

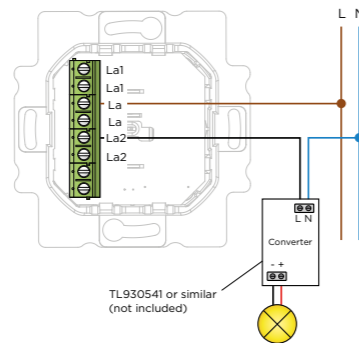


SELECT (PUSH BUTTON)



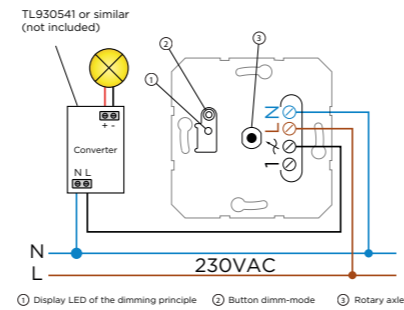
Wiring depending on type impulse switch. Please consult device manual of impulse switch for wiring guidelines.

COCKPIT (2-WAY)



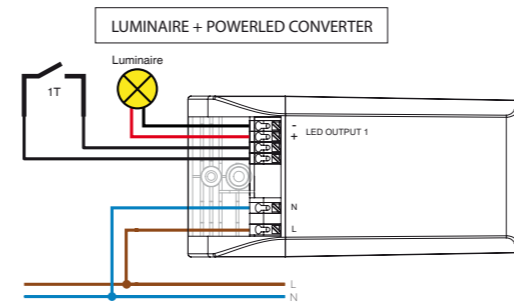
TL930541 or similar (not included)

DIMMER (UNIVERSAL)



For full guide on dimmer programation please consult the Universal dimmer guide

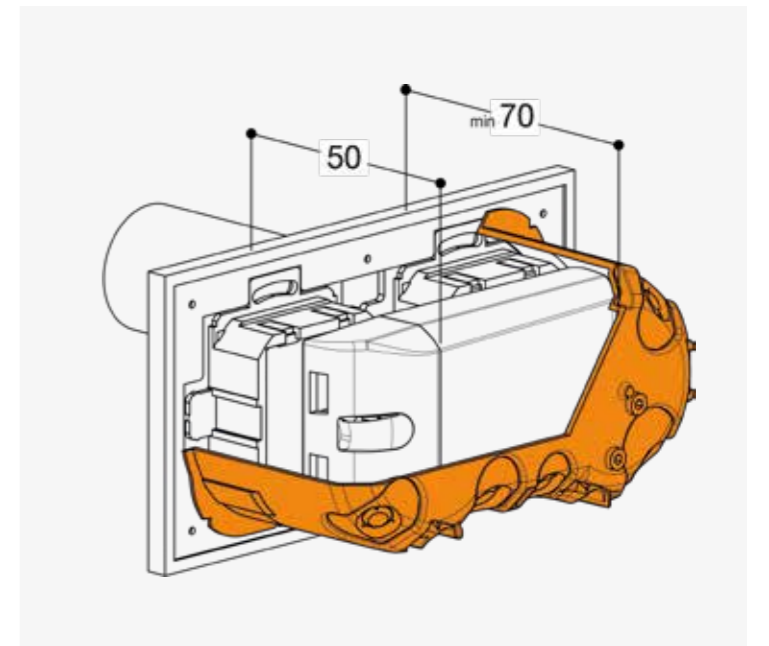
LUMINAIRE WITH PUSH BUTTON AND DIMMABLE CONVERTER



See manual for detailed push dim instructions.

OPTIONAL CONVERTER

Acc005 Powered converter 1-20W 350mA push dim

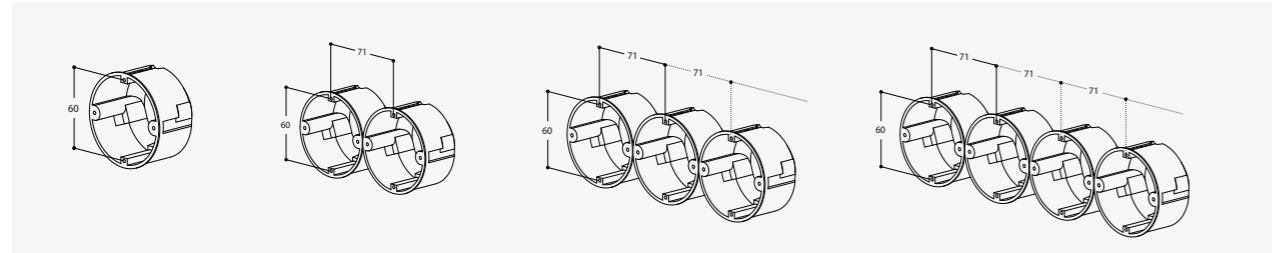


5. Compatible wall boxes Installation guidelines

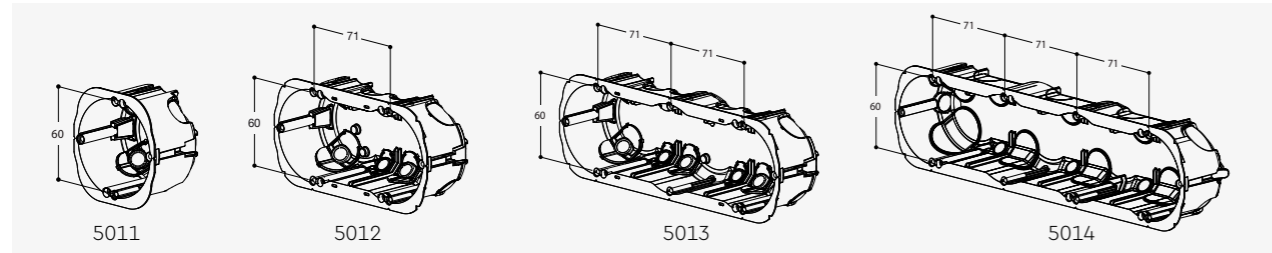
Wallboxes

Lithoss switches and sockets should be installed on wall boxes with screws (screw distance: 60mm). Below you will find an overview of possible combinations. For other European standards check compatible wall boxes on pages 264 – 269.

INSTALLATION ON ROUND WALL BOXES (STANDARD)

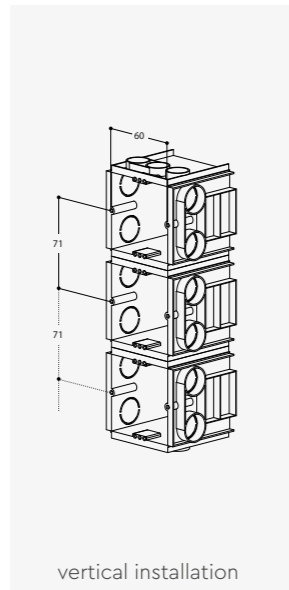
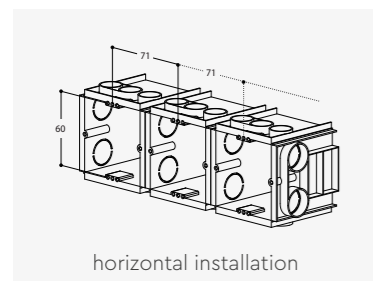
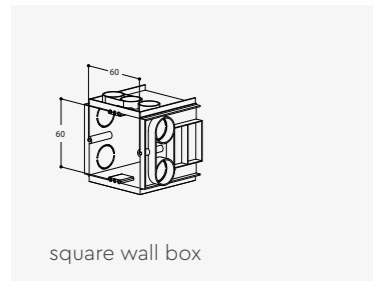


INSTALLATION ON ROUND WALL BOXES (O-RANGE)

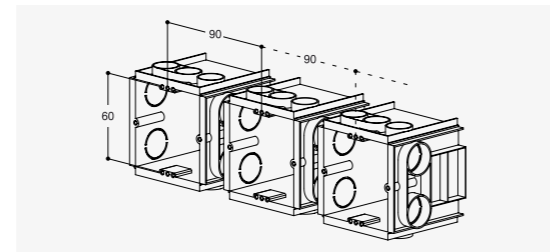


INSTALLATION ON SQUARE WALL BOXES

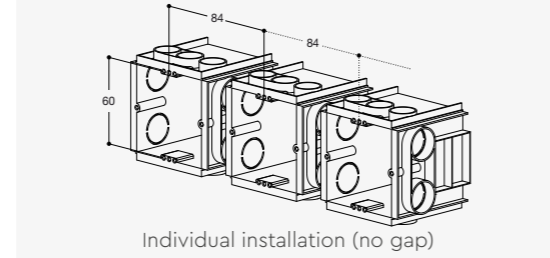
Not applicable for Circum: see compatible wall boxes on pages 264 – 269.



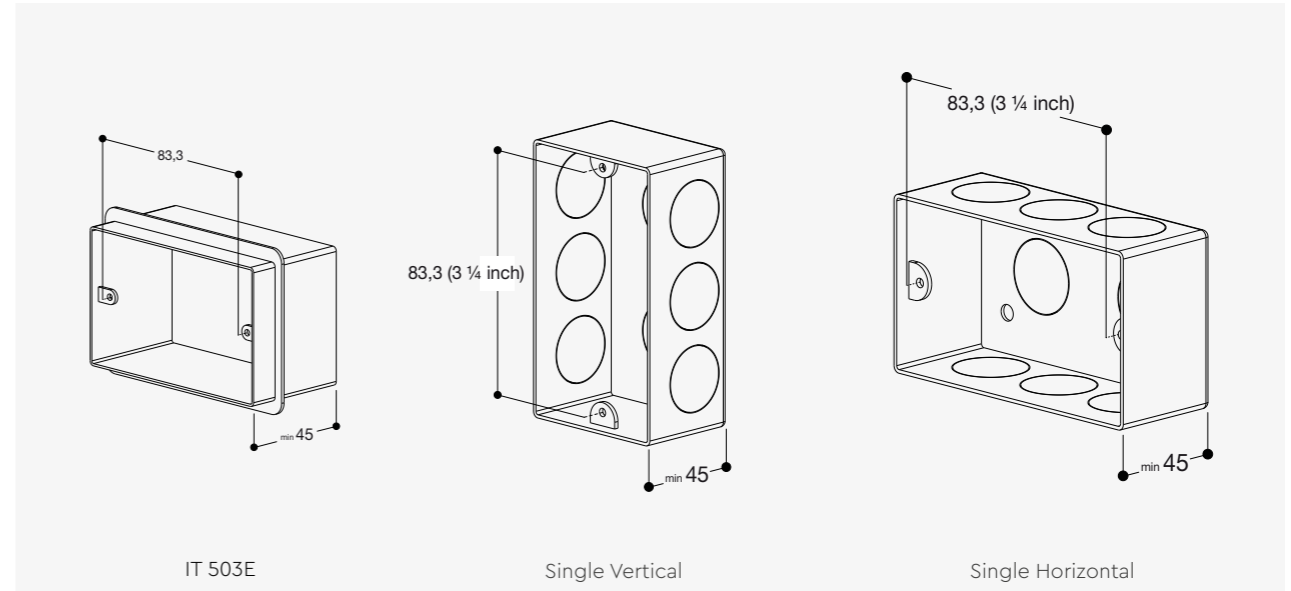
AESTEEM



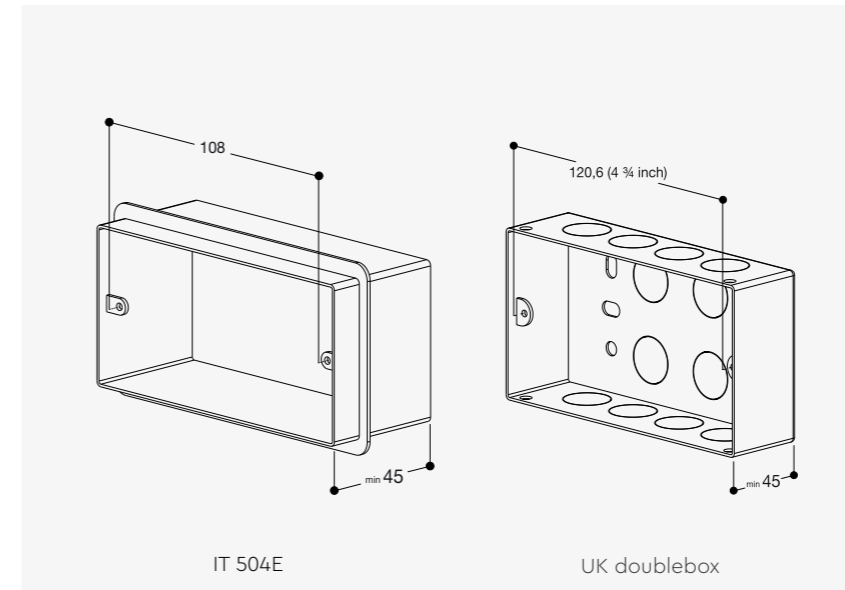
STANDARD COLLECTION



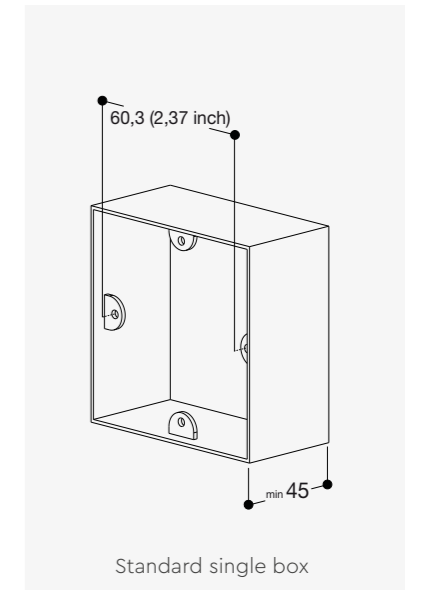
OPERA & US



BRITANNICA



STANDARD



5. Compatible wall boxes

Reference	Manufacturer	Series	Modules	Application	Size / Dia	Depth
"1055-xx 1056-xx"	Kaiser	nvt	1	Wallbox	60	46
"1555-xx 1556-xx"	Kaiser	nvt	1	Wallbox	60	60
1069-xx	Kaiser	nvt	1	Wallbox	110 × 71	49
1068-xx	Kaiser	nvt	1	Wallbox	149 × 69	60
1656-xx	Kaiser	nvt	2	Wallbox	135×69	40
1656-21	Kaiser	nvt	2	Wallbox	150×64	65
205	Helia	nvt	1	Hollow partitions	70	45
275	Helia	nvt	1	Wallbox	60 × 60	50
276	Helia	nvt	1	Wallbox	60 × 60	65
750	Helia	nvt	1	Wallbox	60 × 60	50
752	Helia	nvt	1	Wallbox	60 × 60	50
760	Helia	nvt	1	Wallbox	60 × 60	65
7500	Helia	Q ₂ -series	1	Wallbox	60 × 60	50
7650	Helia	Q ₂ -series	1	Wallbox	60 × 60	65
450	Helia	nvt	1	Wallbox	71 × 71	45
3215	Helia	nvt	1- ∞	Wallbox	63	44
4215	Helia	nvt	1- ∞	Wallbox	63	62
662	Kaiser	nvt	SB3MT	"Wallbox Hollow partitions"	100 × 60	52
663	Kaiser	nvt	SB4MT	"Wallbox Hollow partitions"	121 × 60	52
9×61-xx	Kaiser	nvt	1	Hollow partitions	68	35
9×63-xx	Kaiser	nvt	1	Hollow partitions	68	47
9×64-xx	Kaiser	nvt	1	Hollow partitions	68	68
9×62-xx	Kaiser	nvt	2	Hollow partitions	68	47
9062-94	Kaiser	nvt	2	Hollow partitions	68	75
9463-xx	Kaiser	nvt	1	Hollow partitions	74	40
9464-xx	Kaiser	nvt	1	Hollow partitions	74	50
5011	Helia	O-series	1	Hollow partitions	68	47
5012	Helia	O-series	2	Hollow partitions	2 × 68	47
5013	Helia	O-series	3	Hollow partitions	3 × 68	47

NEW

Reference	Lithoss Circum Compati- bility	Select / Squares USB	illume	Void Square					Void Round NXT	AEsteem	Britannica	Opera
				Frame A (Bticino)	Frame B (L/H/P)	Frame C (Vimar)	Cockpit	KNX				
"1055-xx 1056-xx"	•	•	•	•*	•*		•	•	•	•		
"1555-xx 1556-xx"	•	•	•	•*	•*		•	•	•	•		
1069-xx	•	•	•		•*		•	•	•	•		
1068-xx	•	•	•	•*	•*		•	•	•	•		
1656-xx	•	•	•					•				
1656-21	•	•	•	•*	•*		•	•	•	•		
205												
275		•	•	•*	•*	•*	•	•	•	•		
276		•	•	•*	•*	•*	•	•	•	•		
750		•	•	•*	•*	•*	•	•	•	•		
752		•	•	•*	•*	•*	•	•	•	•		
760		•	•	•*	•*	•*	•	•	•	•		
7500		•	•	•*	•*	•*	•	•	•	•		
7650		•	•	•*	•*	•*	•	•	•	•		
450	•	•	•	•*	•*	•*	•	•	•	•		
3215	•	•	•	•*			•	•		•		
4215	•	•	•	•			•	•		•		
662												•
663											•	
9×61-xx	•	•	•	•*	•*	•*						
9×63-xx	•	•	•	•*	•*	•*	•	•	•	•		
9×64-xx	•	•	•	•*	•*	•*	•	•	•	•		
9×62-xx	•	•	•	•*	•*	•*	•	•	•			
9062-94	•	•	•	•*	•*	•*	•	•	•			
9463-xx	•	•	•	•*	•*	•*		•	•	•		
9464-xx	•	•	•	•*	•*	•*	•	•	•	•		
5011	•	•	•	•*	•*		•	•	•	•		
5012	•	•	•	•*	•*		•	•	•			
5013	•	•	•	•*	•*		•	•	•			

*= Depending on module depth
Important: Technical data is subject to change without notice. Please check our website for latest information.

5. Compatible wall boxes

Reference	Manufacturer	Series	Modules	Application	Size / Dia	Depth
5014	O-series	O-series	4	Hollow partitions	4 x 68	47
80140	Batibox	Batibox	1	Wallbox	32x70	40
80131	Batibox	Batibox	1	Wallbox	70x70	30
80141	Batibox	Batibox	1	Wallbox	70x70	40
80151	Batibox	Batibox	1	Wallbox	70x70	50
80161	Batibox	Batibox	1	Wallbox	70x70	60
80142	Batibox	Batibox	2	Wallbox	145x70	40
80149	Batibox	Batibox	3	Wallbox	115x70	40
80143	Batibox	Batibox	3	Wallbox	215x70	40
80144	Batibox	Batibox	4	Wallbox	285x70	40
89241	Batik	Batik	2	Wallbox	70x70	40
89251	Batik	Batik	2	Wallbox	70x70	50
89261	Batik	Batik	2	Wallbox	70x70	60
80185	Batibox	Batibox	1	Wallbox	75x75	40
80155	Batibox	Batibox	-	Wallbox		50
80021	Batibox Energy	Batibox Energy	1	Hollow partitions	67	40
80040	Batibox	Batibox	2	Hollow partitions		40
49341	Batibox	Batibox	1	Hollow partitions	65	40
80041	Batibox	Batibox	1	Hollow partitions	67	40
80051	Batibox	Batibox	1	Hollow partitions	67	50
80061	Batibox	Batibox	1	Hollow partitions	67	60
80049	Batibox	Batibox	2	Hollow partitions		40
80042	Batibox	Batibox	2	Hollow partitions	138x67	40
80052	Batibox	Batibox	2	Hollow partitions	138x67	50
80043	Batibox	Batibox	3	Hollow partitions	208x67	40
80053	Batibox	Batibox	3	Hollow partitions	208x67	50
80044	Batibox	Batibox	4	Hollow partitions	278x67	40
80054	Batibox	Batibox	4	Hollow partitions	278x67	50
89352	Batibox	Batibox	2	Hollow partitions	122x67	50

NEW

Reference	Lithoss Circum Compatibility	Select / Squares USB	Illume	Void Square					Void Round NXT	AEsteem	Britannica	Opera
				Frame A (Bticino)	Frame B (L/H/P)	Frame C (Vimar)	Cockpit	KNX				
5014	•	•	•	•*	•*		•	•	•			
80140												
80131	•											
80141	•	•	•	•*	•*	•*	•	•	•	•		
80151	•	•	•	•*	•*	•*	•	•	•	•		
80161	•	•	•	•*	•*	•*	•	•	•	•		
80142	•	•		•*	•*	•*		•				
80149	•											•
80143	•	•		•*	•*	•*		•				
80144	•	•		•*	•*	•*		•				
89241		•	•	•*	•*	•*		•		•		
89251		•	•	•*	•*	•*	•	•	•	•		
89261		•	•	•*	•*	•*	•	•	•	•		
80185												
80155												
80021	•	•	•									
80040												
49341	•	•	•		•*	•*		•	•			
80041	•	•	•	•*	•*	•*		•	•			
80051	•	•	•	•*	•*	•*	•	•	•	•		
80061	•	•	•	•*	•*	•*	•	•	•	•		
80049												
80042	•	•		•*	•*	•*	•	•	•			
80052	•	•		•*	•*	•*	•	•	•			
80043	•	•		•*	•*			•				
80053	•	•		•*	•*		•	•	•			
80044	•	•		•*	•*			•				
80054	•	•		•*	•*		•	•	•			
89352												

*= Depending on module depth
Important: Technical data is subject to change without notice. Please check our website for latest information.

5. Compatible wall boxes

Reference	Manufacturer	Series	Modules	Application	Size / Dia	Depth
98353	Batibox	nvt	3	Hollow partitions		50
89348	Batibox	nvt	1	Hollow partitions	85	40
89358	Batibox	nvt	1	Hollow partitions	85	50
89224	nvt	nvt	1	Hollow partitions	67	40
B45	nvt	nvt	1	Wallbox	60 × 60	45
B65	nvt	nvt	1	Wallbox	60 × 60	65
2660	nvt	nvt	1	Hollow partitions	68	65
2661	nvt	nvt	1	Hollow partitions	68	45
2663	nvt	nvt	2	Hollow partitions	68	45
2664	nvt	nvt	3	Hollow partitions	68	45
2665	nvt	nvt	4	Hollow partitions	68	45
S57/100	Flexi 20	nvt	1	Wallbox	71	57
S57/Dobbel	Flexi 20	Q ₂ -series	2	Wallbox	71	57
E107M25	FM Device socket	Q ₂ -series	1- ∞	Wallbox	65	64
UP20	FM Device socket	nvt	2	Wallbox	71	62
UP30	FM Device socket	nvt	3	Wallbox	71	62
UP40	FM Device socket	nvt	4	Wallbox	71	62
KP 68	KP	nvt	1- ∞	Wallbox	71	42
KPR 68	KPR	nvt	1- ∞	Wallbox	71	64
KP 68/D	KP	nvt	1- ∞	Wallbox	72×72	43
KPR 68/D	KPR	nvt	1- ∞	Wallbox	72×72	68
KP 67/2	KP	nvt	1- ∞	Wallbox	67	43
KP 64/2	KP	nvt	2	Wallbox	68	43
KP 64/3	KP	nvt	3	Wallbox	68	43
KP 64/4	KP	nvt	4	Wallbox	68	43
KPL 64-50/LD	KPL	nvt	1	Hollow partitions	68	47
KPL 64-50/2LD	KPL	O-series	2	Hollow partitions	68	47
KPL 64-50/3LD	KPL	O-series	3	Hollow partitions	68	47
KPL 64-50/4LD	KPL	O-series	4	Hollow partitions	68	47

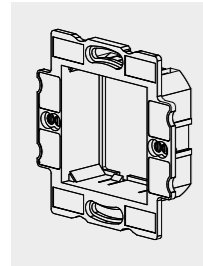
NEW

Reference	Lithoss Circum Compatibility	Select / Squares USB	Void Square							Void Round NXT	AEsteem	Britannica	Opera
			Illume	Frame A (Bticino)	Frame B (L/H/P)	Frame C (Vimar)	Cockpit	KNX					
98353													
89348													
89358													
89224	•	•	•	•*	•*		•	•	•	•			
B45		•	•	•*	•*	•*	•	•	•	•			
B65		•	•	•*	•*	•*	•	•	•	•			
2660	•	•	•	•*	•*	•*	•	•	•	•			
2661	•	•	•	•*	•*	•*	•	•	•	•			
2663	•	•		•*	•*	•*	•	•	•	•			
2664	•	•		•*	•*	•*	•	•	•	•			
2665	•	•		•*	•*	•*	•	•	•	•			
S57/100	•	•	•	•*	•*	•	•	•	•	•			
S57/Dobbel	•	•		•*	•*	•	•	•	•	•			
E107M25	•	•	•	•*			•	•	•	•			
UP20	•	•		•*	•*	•*	•	•	•	•			
UP30	•	•		•*	•*	•*	•	•	•	•			
UP40		•		•*	•*	•*	•	•	•	•			
KP 68	•	•	•	•*	•*	•*	•	•	•	•			
KPR 68	•	•	•	•*	•*	•*	•	•	•	•			
KP 68/D	•	•	•	•*	•*	•*	•	•	•	•			
KPR 68/D	•	•	•	•*	•*	•*	•	•	•	•			
KP 67/2	•	•	•	•*	•*	•*	•	•	•	•			
KP 64/2	•	•		•*	•*	•*	•	•	•	•			
KP 64/3	•	•		•*	•*	•*	•	•	•	•			
KP 64/4		•		•*	•*	•*	•	•	•	•			
KPL 64-50/LD	•	•	•	•*	•*	•*	•	•	•	•			
KPL 64-50/2LD	•	•		•*	•*	•*	•	•	•	•			
KPL 64-50/3LD	•	•		•*	•*	•*	•	•	•	•			
KPL 64-50/4LD		•		•*	•*	•*	•	•	•	•			

*= Depending on module depth
Important: Technical data is subject to change without notice. Please check our website for latest information.

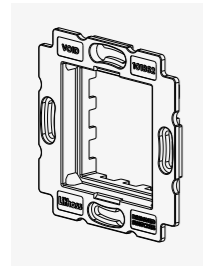
6. Compatible modules

Frame A



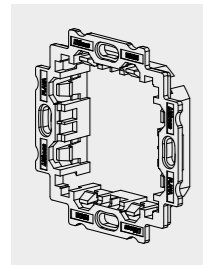
Compatible modules:
Biticino Living, Light,
Light Tech

Frame B



Compatible modules:
Legrand Mosaic,
Hager Systo,
Peha Concept 45

Frame C



Compatible modules:
Vimar Plana, Eikon

	Width	Frame A		
		Light	Light Tech	Living
		White	Grey	Black
Outlet pin connection (Type E - Flat version)	2	TIN4142AF	TINT4142AF	TIL4142AF
Outlet pin connection (Type E)	2	LN4142AN+TIN4942S	LN4142AN+TINT4942S	LN4142AN+TIL4942S
Outlet pin connection + cover (Type E)	2	TIN4145	TINT4145	TIL4145
Outlet schuko (Type F)	2	TIN4141AN	TINT4141AN	TIL4141AN
Outlet schuko + cover (Type F)	2	-	-	-
Outlet British standard 5A (Type C)	2	-	-	-
Outlet British standard 13A (Type G)	2	TIN4150	TINT4150	TIL4150
Multistandard outlet	2	-	-	-
Shaver outlet (115V-230V)	3	TIN4177	TINT4177	TIL4177
USB connection	1	TIN4285C	TINT4285C	TIL4285C
USB connection	2	TIN4285C2	TINT4285C2	TIL4285C2
RJ11 - Telephone connection	1	TIN4258/11N	TINT4258/11N	TIL4258/11N
RJ45 - Computer connection (CAT6)	1	TIN4279C6	TINT4279C6	TIL4279C6
TV connection Coax (end)	1	TIN4202D	TINT4202D	TIL4202D
TV connection Coax (through)	1	TIN4202P	TINT4202P	TIL4202P
TV/FM connection (end)	2	TIN4211D	TINT4211D	TIL4211D
TV/FM connection (through)	2	-	-	-
TV/FM/SAT connection	2	TIN4210D	TINT4210D	TIL4210D
HDMI connection	1	-	-	-
HDMI connection	2	TIN4284	TINT4284	TIL4284
Speaker connector	1	TIN4294	TINT4294	TIL4294
RCA connection	1	TIN4269R	TINT4269R	TIL4269R
Programmable thermostat	2/3	TIN4451	TINT4451	TIL4451
Electronic thermostat	2	TIN4441	TINT4441	TIL4441
EIB/KNX thermostat (Touch)	2	-	-	-
IR movement detector	1	TIN4431	TINT4431	TIL4431
IR movement detector	2	TIN4432	TINT4432	TIL4432
EIB/KNX presence detector	2	-	-	-
Blank module	1	TIN4950	TINT4950	TIL4950
Blank module	2	TIN4951	TINT4951	TIL4951
Ventilation switch - 4 positions	2	TIN4016	TINT4016	TIL4216

Frame B					Frame C		
Mosaic	Mosaic	Concept 45	Concept 45	Concept 45	Eikon	Eikon	Eikon
White	Alu Grey	White	Grey	Black	White	Grey	Black
L77132	-	-	-	-	-	-	-
L77111	L79271	P414341	P516941	P512941	Vi220212.FX	Vi320212.FX	Vi120212.FX
L77119	-	-	-	-	Vi220212.FX.C	Vi320212.FX.C	Vi120212.FX.C
L77213	-	P414111	P516111	P512111	Vi220208.FX	Vi320208.FX	Vi120208.FX
L77219	-	-	-	-	Vi220208.FX.C	Vi320208.FX.C	Vi120208.FX.C
L74124S	-	-	-	-	Vi220214	Vi320214	Vi120214
L77505	-	-	-	-	Vi220219	Vi320219	Vi120219
-	-	-	-	-	Vi220257	Vi320257	Vi120257
-	-	-	-	-	Vi220290	Vi320290	Vi120290
L77591	L79391	-	-	-	Vi220292	Vi320292	Vi120292
L77594	L79394	-	-	-	Vi220295	Vi320295	Vi120295
L78730	L79231	-	-	-	Vi220320	Vi320320	Vi120320
L76561	L79461	P572111	P572311	P572211	Vi2203396	Vi3203396	Vi1203396
L78793	-	-	-	-	Vi220300	Vi320300	Vi120300
-	-	-	-	-	Vi220300.10	Vi320300.10	Vi120300.10
L78788	-	-	-	-	Vi220302	Vi320302	Vi120302
-	-	-	-	-	Vi220302.10	Vi320302.10	Vi120302.10
L78786	-	-	-	-	Vi220303	Vi320303	Vi120303
L78778	L79378	-	-	-	Vi220346	Vi320346	Vi120346
L78768	L79275	-	-	-	-	-	-
L78750	-	-	-	-	Vi220583	Vi320583	Vi120583
L78754	L79254	-	-	-	Vi220335	Vi320335	Vi120335
-	-	-	-	-	Vi220445	Vi320445	Vi120445
L76720	-	P500113 + P502613	P500313 + P502613	P500213 + P502613	Vi2202950 (touch)	Vi3202950 (touch)	Vi1202950 (touch)
-	-	-	-	-	Vi2202952	Vi3202952	Vi1202952
-	-	-	-	-	Vi220181	Vi320181	Vi120181
-	-	P504513 + P502613	P504713 + P502613	P504613 + P502613	-	-	-
-	-	-	-	-	Vi220850	Vi320850	Vi120850
L77070	L79270	P416311	P516011	P512011	Vi220041	Vi320041	Vi120041
L77071	L79280	P416211	P515911	P511911	Vi220042	Vi320042	Vi120042
-	-	-	-	-	Vi220096	Vi320096	Vi120096

Important: Technical data is subject to change without notice.
Please check our website for latest information.

7. Combinations

Productgroup (zz)		Module type (yy)			
Family	Code	Technology	Code 1	Type	Code 2
		None (void, dimmer, luminaires)	0	Blind	0
Select	Ni	250V 2-way (Cockpit, Circum)	1	1T (Select, Squares) / 1C (Cockpit)	1
		250V Shutter (Cockpit, Circum)	2	2T (Select, Squares) /2C (Cockpit)	2
Cockpit	Co	24V-250V push button (Select, Squares, Cockpit, Circum)	3	3T (Select, Squares)	3
Squares	Sq	250V 2-way + neon (Cockpit, Circum)	4	4T (Select, Squares)	4
Void	Vo	250V Shutter + neon (Cockpit, Circum)	5	Bticino frame (void square)	A
Dimmer	Dm	24V-250V Push button + neon (Cockpit, Circum)	6	L/H/P frame (void square)	B
Circum Select	CN	24V Push button + led white (Select, Squares, Circum)	7	Vimar frame (void square)	C
Circum Cockpit	CC	24V Push button + led amber (Select, Squares, Circum)	8	Dimmer 1-10V	D
Circum Squares	CS	24V + feedback RGB led (Aesteem)	9	Bticino LHP Vimar frame (void square)	E
Circum Void	CV	Teleruptor (Select, Squares, Circum, 1T only)	A	Flex (luminaires)	F*
Circum Dimmer	CD	250V cross (Cockpit, Circum, 1C only)	P	(2700 K) Gatekeeper (luminaires)	G
		Qbus+RGB LED (Select, Squares, Cockpit, Circum)	Q	Socket Round White EU (void round NXT)	H
Britannica Select	BN	Qbus+RGB LED+TEMP (Select, Squares, Cockpit, Circum)	R	Socket Round Black EU (void round NXT)	I
Britannica Cockpit	BC	KNX NXT (led & temp sensor) (Select, Squares, Circum)	S	Socket Round White FR-BE (void round NXT)	J
Britannica Squares	BS	KNX	K	Dimmer KNX	K
Britannica Void	BV			Socket Round Black FR-BE (void round NXT)	L
Britannica Dimmer	BD			(2700 K) Microscoop (luminaires)	M*
				(2700 K) Nobel (luminaires)	N*
Opera Select	ON			Nightguide (luminaires)	O
Opera Cockpit	OC			Dimmer universal	P
Opera Squares	OS			(3000 K) Q_lite (luminaires)	S
Opera Void	OV			USB A (void)	U
Opera Dimmer	OD			USB A+C (void)	U1
				UTP (void)	U8
Aesteem	AE			2UTP (void)	U9

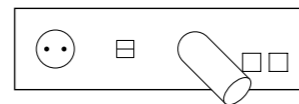
First 2 letters : name of Collection switch
or first 2 letters Vo for combinations of sockets only

Available colours lighting fixture
* Copper with Textured black Focus
*Textured white RAL9010
*Anodic Brown
*Anodic Bronze



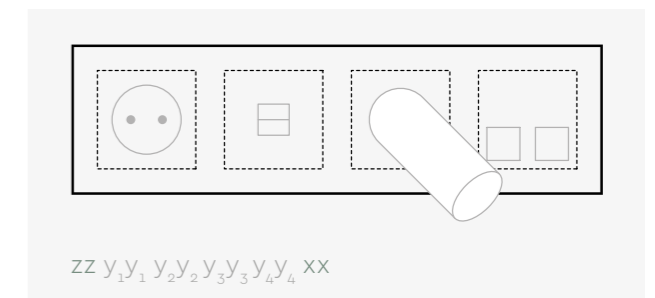
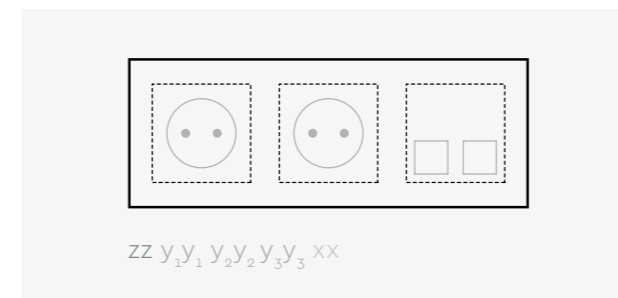
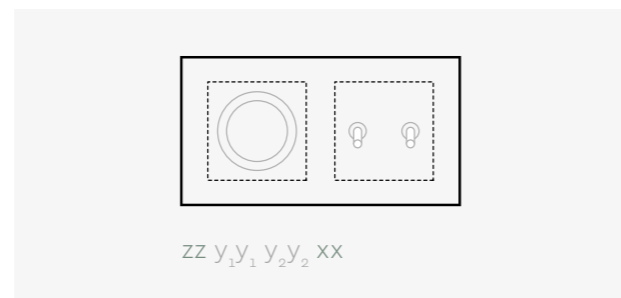
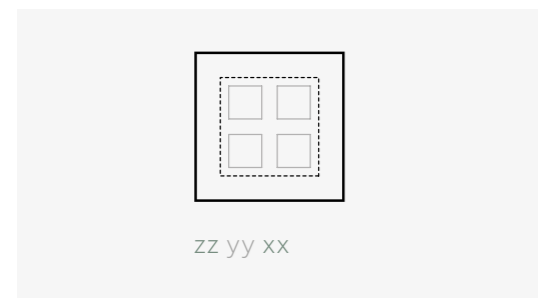
01 STAINLESS STEEL

EXAMPLE



SqoLoUoM3201 in Stainless Steel.

Feel free to make your own combinations by selecting from the configurations above.



Colours	Code	Finish (xx)				
		Select	Cockpit	Squares	Illume	Dimmer
Stainless Steel	01	•		•	•	•
Matt White RAL9010	02	•	•	•	•	•
Gunpowder Black (Fusain)	03	•		•	•	•
Brushed Brass	06	•		•	•	•
Chrome	08	•			•	
Nickel	09	•	•		•	•
Textured White RAL9010	13	•		•	•	•
Textured Black RAL9011	14	•	•	•	•	•
Bronze Antique	17	•	•		•	
Matt Black RAL9011	18	•		•	•	
Tin Antique	19	•			•	•
Brass Antique	20	•			•	•
Bicolour RAL9010 + RAL9011	28	•			•	
Copper	29	•		•	•	•
Stainless Steel + Textured Black	30		•			
Textured Black + Nickel	32		Knurl			Knurl
Brushed Brass + Textured Black	33		•			
Copper + Textured Black	34		•			
Matt White + Textured Black	35		•			•
Textured Black + Brushed Brass	36		Knurl			
Brushed Brass	37		Knurl			Knurl
Stainless Steel + Nickel	38		Knurl			Knurl
Bronze Antique	39		Knurl			
Brass Antique	40		•			
Gunpowder Black (Fusain)	41		•			
Tin Antique + Textured Black	42		•			
Nickel	43		Knurl			Knurl
Textured Black + Brass	46		Knurl			Knurl
Anodic Bronze	44	•		•		•
Anodic Brown	45	•		•		•

8. Printing / engraving symbols

To personalize our switches, text (in the language of your choice) or symbols can be printed or engraved on the button and/or coverplate. These symbols can be printed via a special silk-screen process. The colour of the print depends on the chosen finish, for example a silver symbol on a gunpowder black coverplate. A true added value to our products is laser engraving so you don't only see the strength and quality of our products, you also feel them. By choosing the correct laser setting you can burn the surface locally in order to obtain a discrete black symbol or laser deeper to make the symbol appear in the base material. Other symbols can be printed or engraved when quality images are supplied.

Engraving our buttons and plates reveals following surface colour:
 Stainless Steel / Nickel / Bruhed brass / Copper / Tin Antique : black
 Bronze Antique / Brass Antique : brass
 Gunpowder Black : red copper

Engraving following plates reveals following surface colour:
 Matt White / Textured White : black
 Matt Black / Textured Black / Adic Brown / Adic Bronze : light grey

Engraving following buttons (Select) reveals following surface colour:
 Matt White / Textured White / Matt Black / Textured Black / Adic Brown / Adic Bronze : brass



1 raise temperature	11 kitchen	21 garden lights	31 music source	41 pool room	51 left	61 volume up	71 leave
2 lower temperature	12 power standby	22 tennis court	32 night mode	42 elevator	52 right	62 volume down	72 home
3 wine cellar	13 sunny mode	23 1 light	33 gate closed	43 fast forward	53 up	63 all lights off	73 sauna
4 plasma tv	14 armed	24 2 lights	34 gate open	44 rewind	54 down	64 all lights on	74 bar
5 dining room	15 curtains closed	25 3 lights	35 table lamp	45 index fast forward	55 patio	65 floor lamp	75 living room
6 cd	16 curtains open	26 4 lights	36 cloudy mode	46 index rewind	56 study	66 bathroom	76 home cinema
7 dvd	17 doorbell	27 5 lights	37 mp3	47 stores closed	57 25%	67 bedroom	77 airco up
8 sprinklers	18 spa	28 6 lights	38 radio	48 stores open	58 50%	68 dog	78 airco down
9 garage closed	19 vacation	29 7 lights	39 mute	49 play	59 75%	69 fan	79 master off
10 garage open	20 babysit	30 8 lights	40 fireplace	50 stop	60 100%	70 swimming pool	80 master on

*laser engraving not available for Chrome.
 *our finishings are artisanal thus slightly differences can occur when laser engraving.
 Important: Silk-screen printing not available for Chrome and Textured finishes!

Lithoss

Lithoss Belgium

Moortelmeers 23 • 8740 Pittem
tel +32 (0)56 48 15 98
info@lithoss.com • www.Lithoss.com

All rights reserved.

The information in this catalogue is provided without liability. Lithoss reserves the right to change materials, characteristics and dimensions without prior notice.

Read all instructions carefully. Lithoss general conditions of sale apply.

Lithoss shall not be held liable for any discrepancies between the illustrations or descriptions given and the actual product neither for any misprints and/or typing errors.

We took the liberty of editing some images to give you an impression of how our switches improve living, office and other spaces.

Nothing in this catalogue may be reproduced without written permission from Lithoss.

This catalogue supersedes and replaces all previous catalogues.

Concept and creation: ab.be